

GENERAL NOTES

*SEAL ALL TYVEK® JOINTS AND PENETRATIONS WITH APPROVED TAPE.

(ex. DUPONT™ CONTRACTOR TAPE).

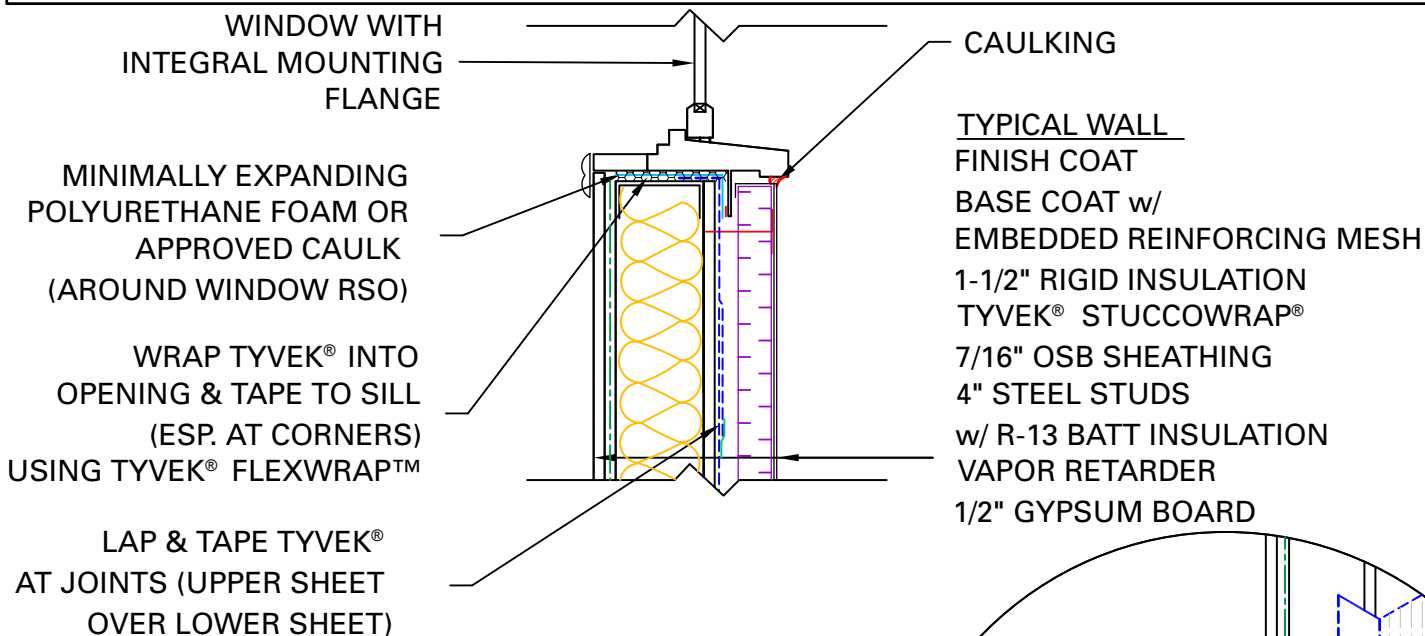
*FASTEN TYVEK® AND RIGID INSULATION TO STEEL STUDS

USING SCREWS W/ PLASTIC WASHERS. (ex. DUPONT™ WRAPCAPS)

*LOCAL LAWS, ZONING, AND BUILDING CODES VARY AND

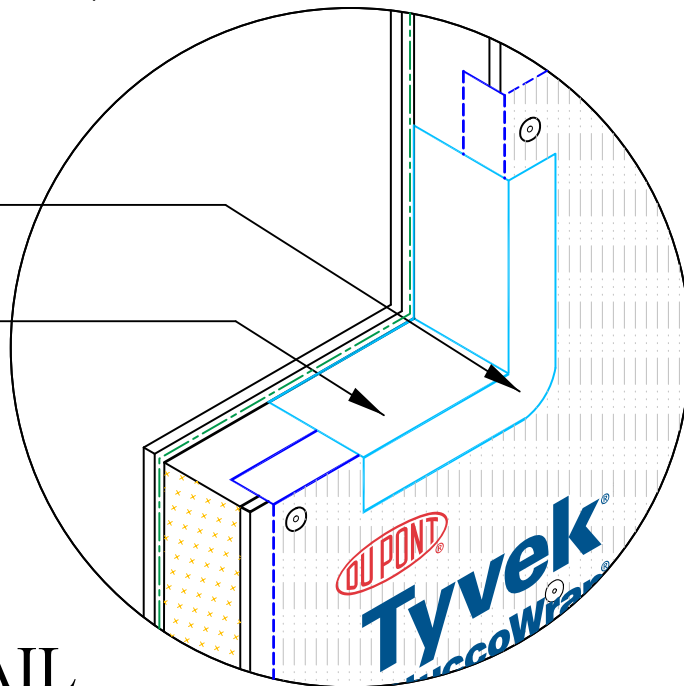
THEREFORE GOVERNS OVER MATERIAL SELECTION AND DETAILING SHOWN BELOW.

*INSTALL EIFS ACCORDING TO MANUFACTURER'S WRITTEN INSTRUCTIONS



FASTEN TYVEK® FLEXWRAP™ CORNER USING MECHANICAL FASTENER

INSTALL TYVEK® FLEXWRAP™ AROUND PERIMETER OF OPENING



WINDOW SILL DETAIL

RESIDENTIAL STEEL FRAME STRUCTURE w/ EIFS CLADDING

(HEATING CLIMATE)