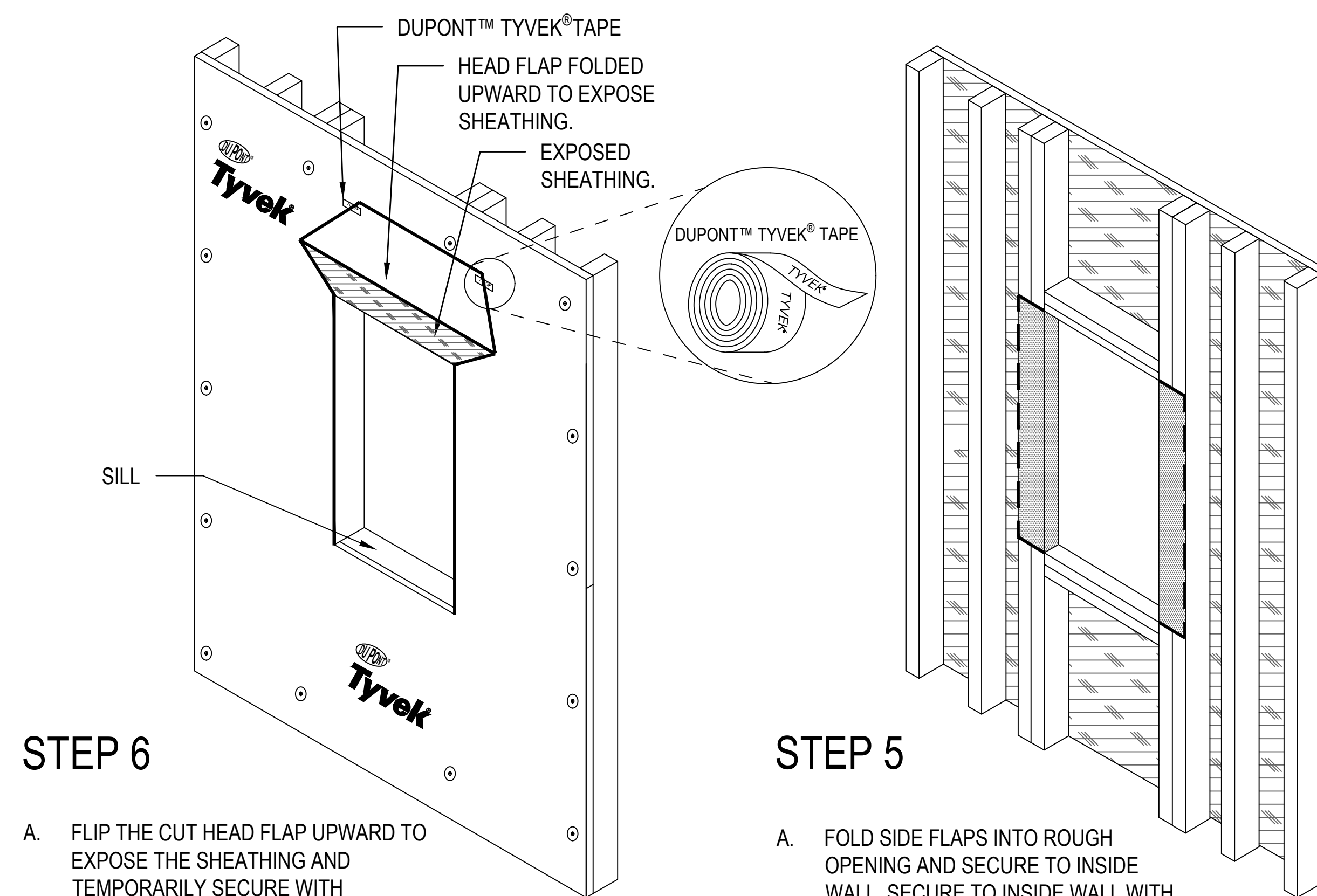


**STEP 8**

- INSTALL THE SILL FLASHING. REMOVE THE LARGEST STRIP OF RELEASE PAPER, ALIGN THE FLASHING WITH THE INTERIOR EDGE OF SILL AND INSTALL INTO ROUGH OPENING ACROSS SILL AND UP JAMBS (6" MIN.).
- APPLY WORKING FROM THE MIDDLE OF THE SILL TOWARDS THE SIDES. SECURE DUPONT™ FLEXWRAP™ NF TIGHTLY INTO THE CORNERS BY FIRST WORKING IN ALONG THE SILL BEFORE ADHERING UP THE JAMBS. DO NOT STRETCH MATERIAL ALONG THE SILL OR JAMBS.

**STEP 7**

- PREPARE THE SILL FLASHING BY CUTTING A PIECE OF DUPONT™ FLEXWRAP™ NF THAT IS AT LEAST 12" LONGER THAN THE SILL LENGTH.
- USE 6" DUPONT™ FLEXWRAP™ NF FOR 2"x 4" FRAMING AND 9" DUPONT™ FLEXWRAP™ NF FOR 2"x 6" FRAMING.
- INSPECT INSTALLATION SURFACE TO ENSURE THE SURFACE IS FREE OF DIRT AND SUBSTANCES THAT COULD INTERFERE WITH ADHESION AS WELL AS ANY SHARP PROTRUSIONS.

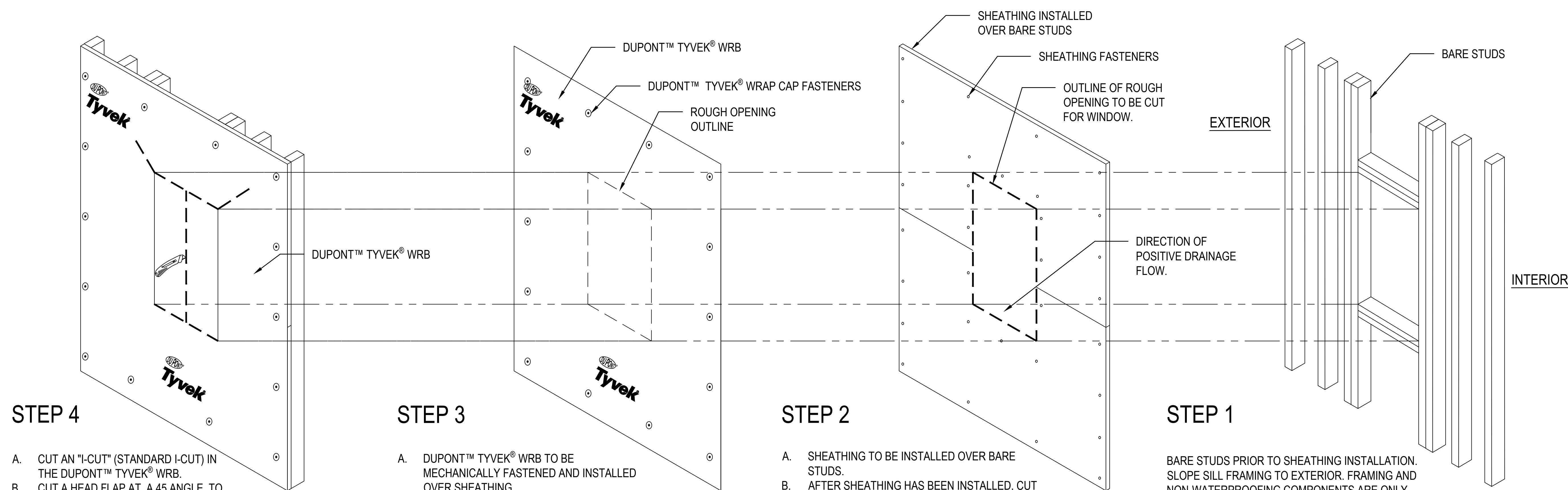


**STEP 6**

- FLIP THE CUT HEAD FLAP UPWARD TO EXPOSE THE SHEATHING AND TEMPORARILY SECURE WITH DUPONT™ TYVEK™ TAPE.

**STEP 5**

- FOLD SIDE FLAPS INTO ROUGH OPENING AND SECURE TO INSIDE WALL. SECURE TO INSIDE WALL WITH TYVEK™ TAPE OR DUPONT™ TYVEK™ WRAP CAP FASTENERS



**STEP 4**

- CUT AN "I-CUT" (STANDARD I-CUT) IN THE DUPONT™ TYVEK™ WRB.
- CUT A HEAD FLAP AT A 45 ANGLE TO EXPOSE 8" OF SHEATHING TO ALLOW FOR HEAD FLASHING INSTALLATION.

**STEP 3**

- DUPONT™ TYVEK™ WRB TO BE MECHANICALLY FASTENED AND INSTALLED OVER SHEATHING.
- DO NOT INSTALL FASTENERS WITHIN 6" OF THE SILLS AND JAMBS OF THE OPENINGS AND WITHIN 9" OF THE HEAD OPENINGS.

**STEP 2**

- SHEATHING TO BE INSTALLED OVER BARE STUDS.
- AFTER SHEATHING HAS BEEN INSTALLED, CUT AN OPENING IN THE SHEATHING ALONG THE PERIMETER OF THE ROUGH OPENING FOR WINDOW.
- ENSURE THE SHEATHING IS CUT FLUSH WITH OR SLIGHTLY BELOW THE SILL FRAMING TO ALLOW FOR POSITIVE DRAINAGE.

**STEP 1**

BARE STUDS PRIOR TO SHEATHING INSTALLATION. SLOPE SILL FRAMING TO EXTERIOR. FRAMING AND NON-WATERPROOFING COMPONENTS ARE ONLY SHOWN SCHEMATICALLY. SEE DRAWINGS BY OTHERS FOR DETAILED INFORMATION.

NOTE: FOR ADDITIONAL INFORMATION REGARDING PRODUCT INSTALLATION, REFER TO THE APPLICABLE DUPONT™ SELF-ADHERED FLASHING SYSTEMS PRODUCTS INSTALLATION GUIDELINE.

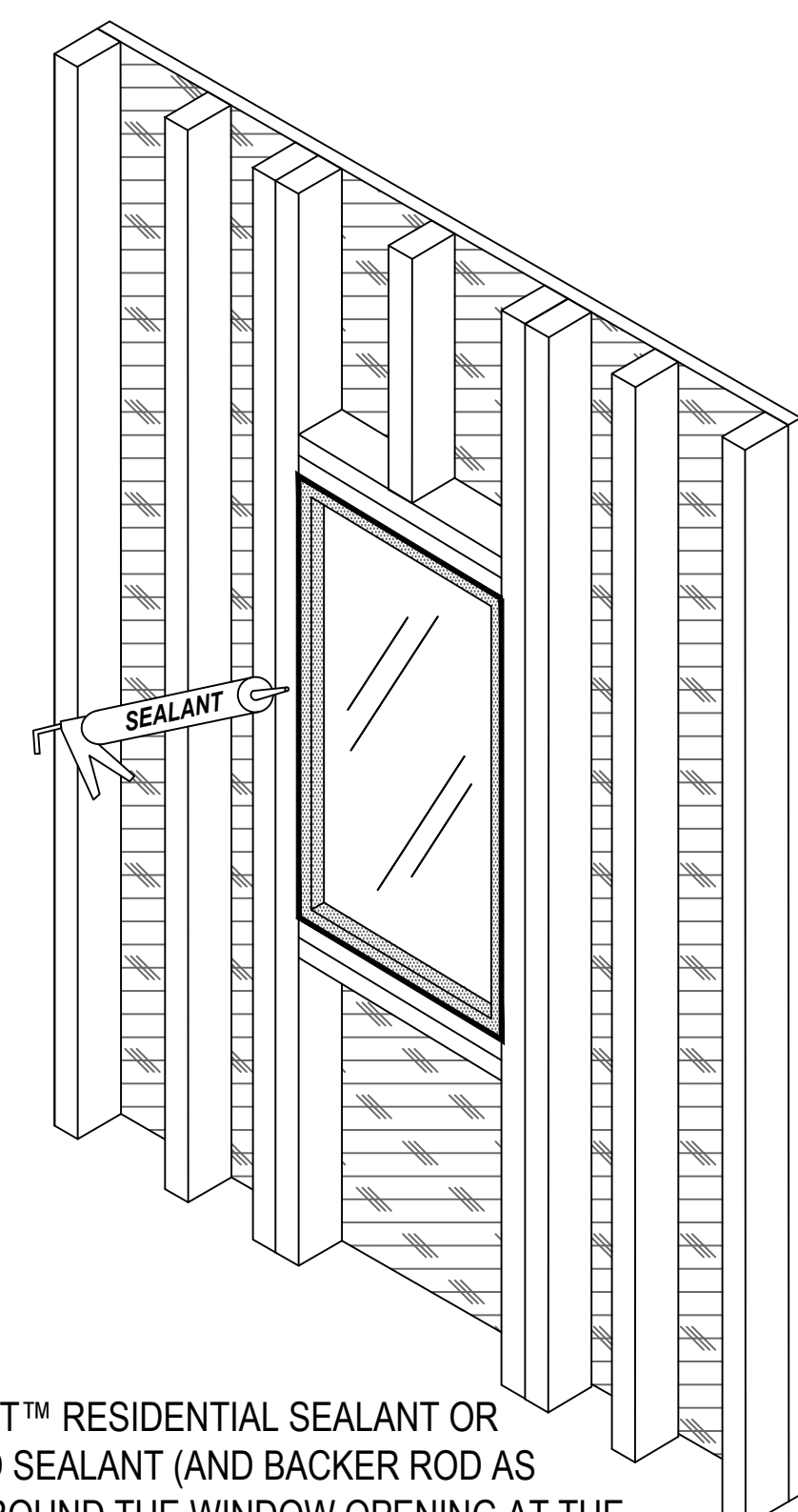
Integral Flanged Window After WRB Installation Sequence

DRAWING:  
R-OP-2110-MA, Page 1 of 2

REVISION DATE:  
11/1/2016

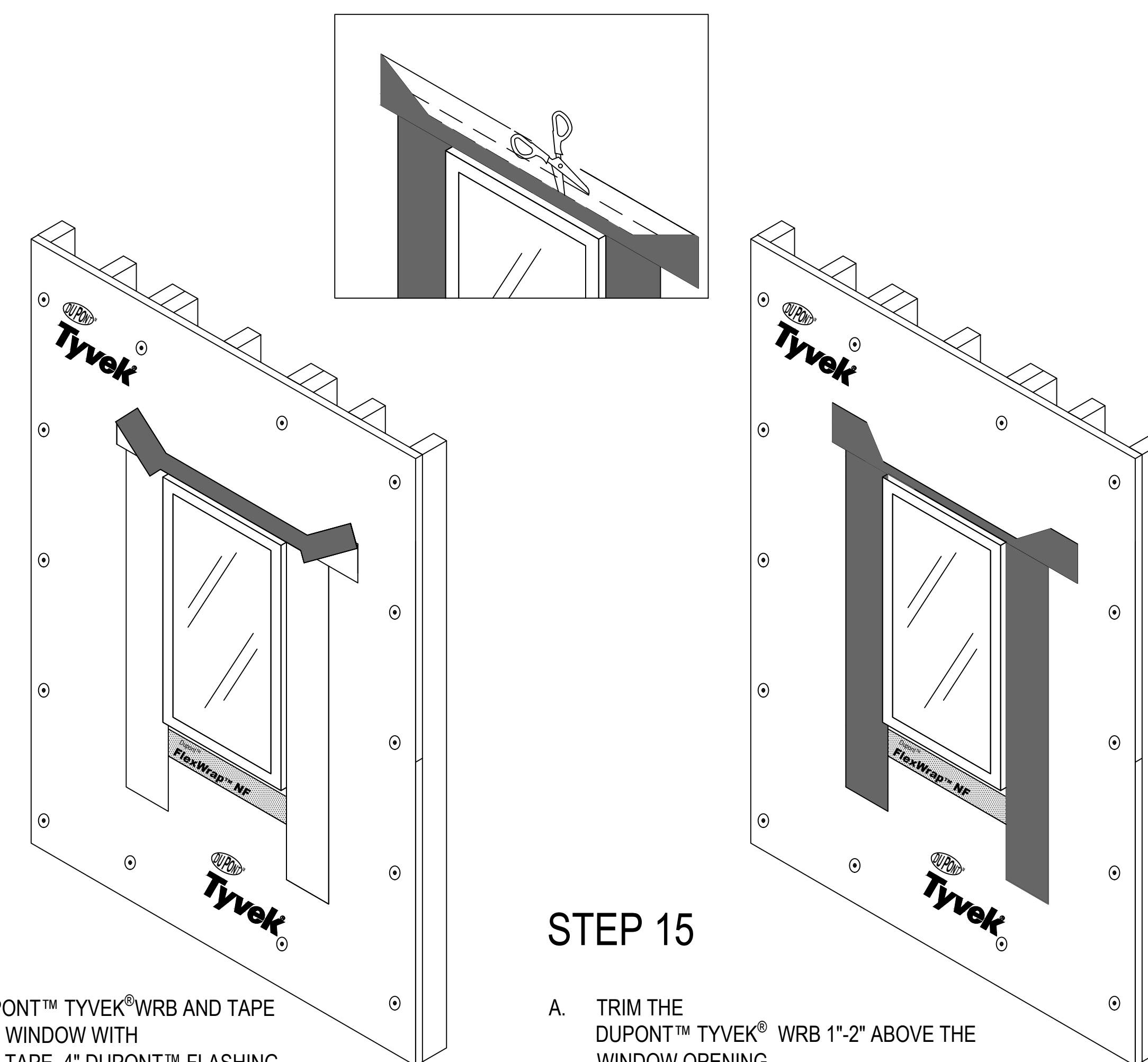
SCALE: Not to Scale





**STEP 17**

- A. INSTALL DUPONT™ RESIDENTIAL SEALANT OR RECOMMENDED SEALANT (AND BACKER ROD AS NECESSARY) AROUND THE WINDOW OPENING AT THE INTERIOR. IT IS ALSO ACCEPTABLE TO USE DUPONT™ WINDOW AND DOOR FOAM OR RECOMMENDED FOAM AT THE INTERIOR CAVITY OF THE JAMBS AND HEAD. IF FOAM IS USED AT THE SILL, RECOMMENDED SEALANT SHOULD BE USED AT THE SILL AREA BEHIND THE FOAM TO ENSURE A PROPER WATER SEAL.

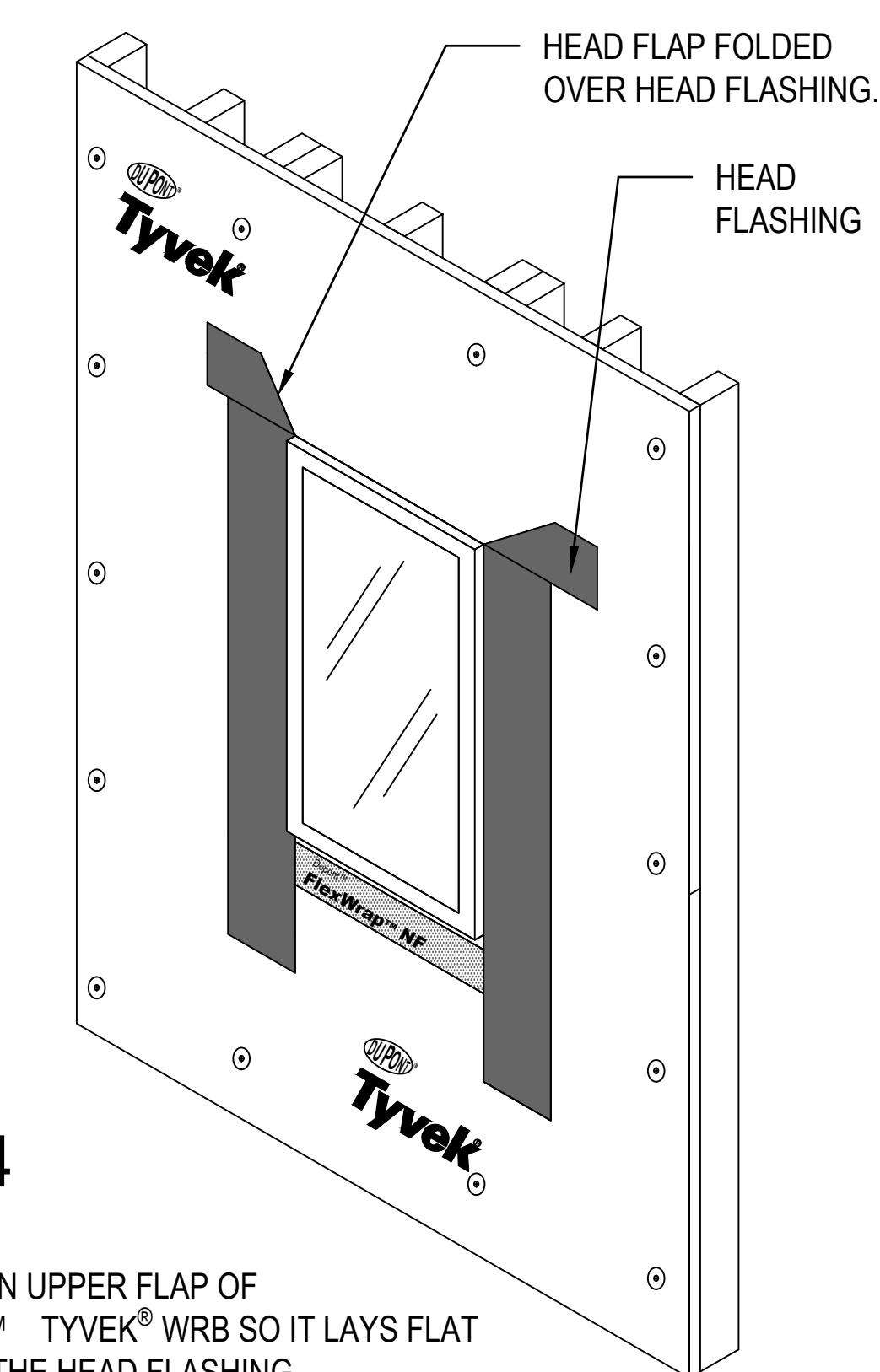


**STEP 16**

- A. TAPE ALL CUTS IN DUPONT™ TYVEK® WRB AND TAPE ACROSS HEAD OF THE WINDOW WITH DUPONT(TM) TYVEK(R) TAPE, 4" DUPONT™ FLASHING TAPE OR DUPONT™ STRAIGHTFLASH™.

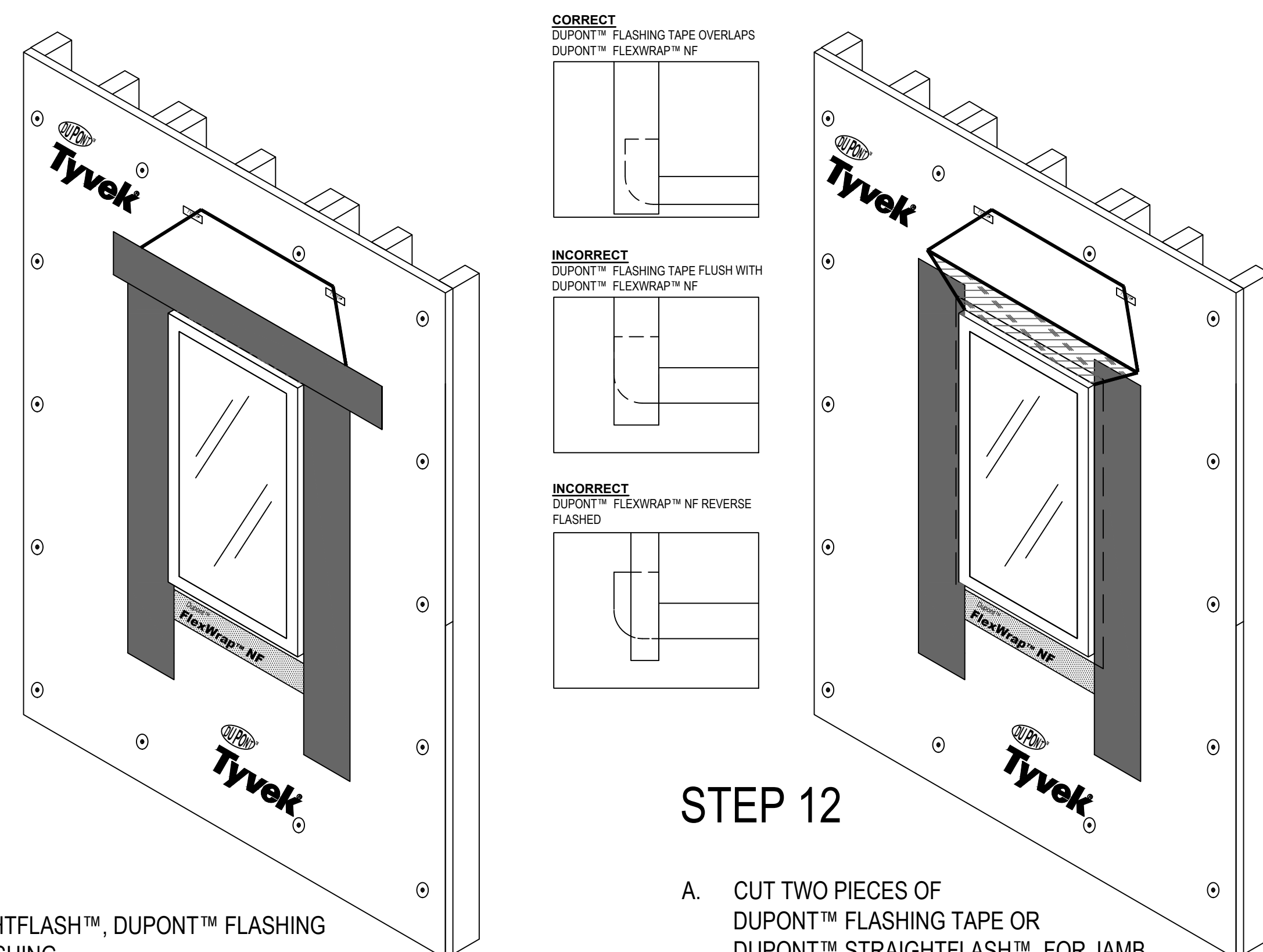
**STEP 15**

- A. TRIM THE DUPONT™ TYVEK® WRB 1"-2" ABOVE THE WINDOW OPENING.
- B. WHEN TRIMMING THE DUPONT™ TYVEK® WRB, DO NOT CUT OR DAMAGE THE HEAD FLASHING THAT HAS BEEN INSTALLED BEHIND IT.



**STEP 14**

- A. FLIP DOWN UPPER FLAP OF DUPONT™ TYVEK® WRB SO IT LAYS FLAT ACROSS THE HEAD FLASHING.

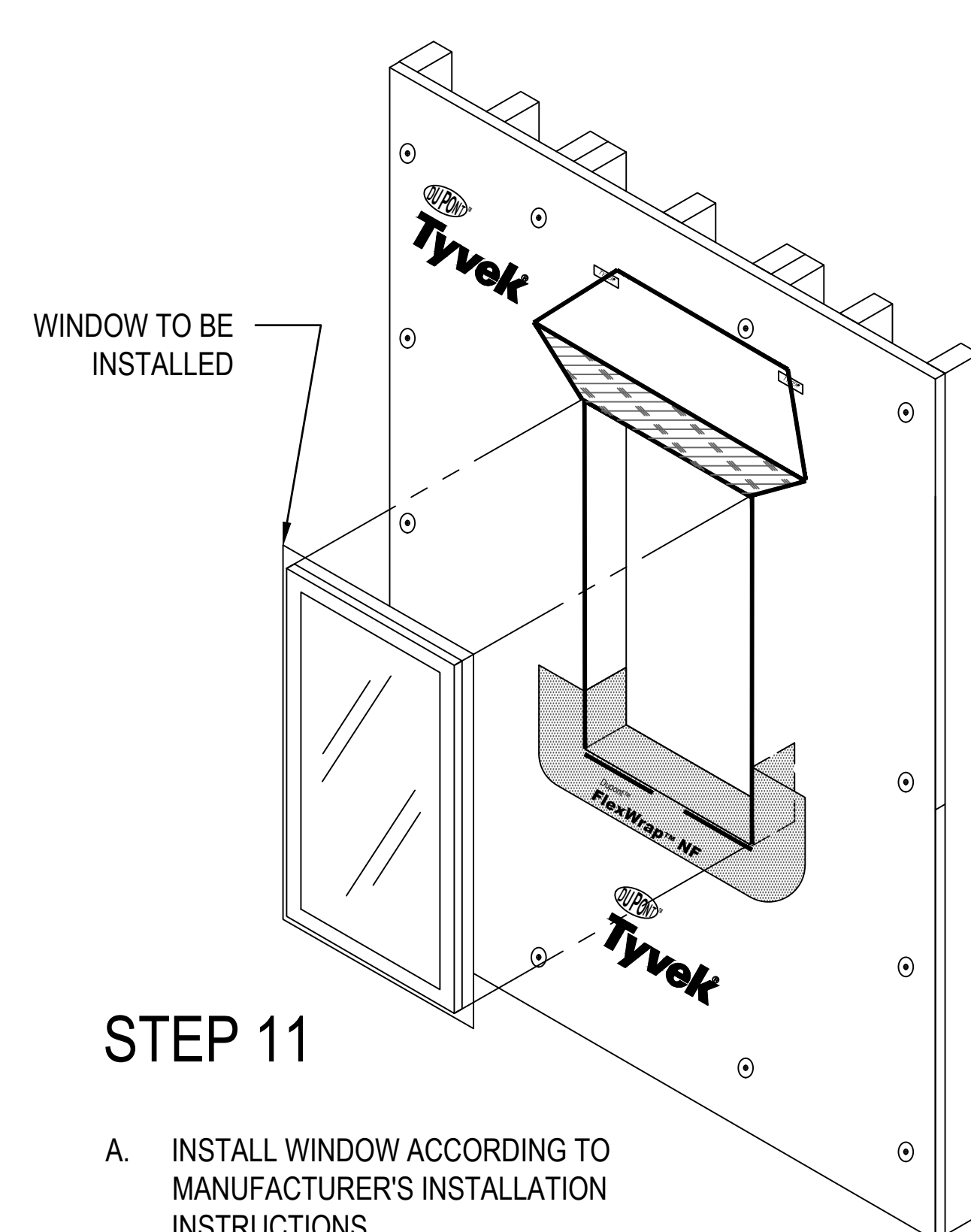
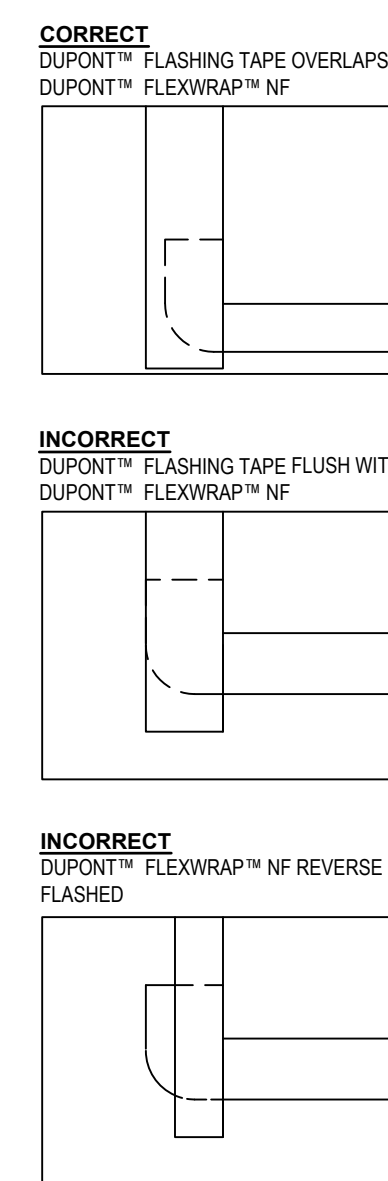


**STEP 13**

- A. CUT A PIECE OF DUPONT™ STRAIGHTFLASH™, DUPONT™ FLASHING TAPE FOR HEAD FLASHING.
- B. HEAD FLASHING TO EXTEND BEYOND OUTER EDGES OF JAMB FLASHING.
- C. REMOVE RELEASE PAPER AND INSTALL COMPLETELY COVERING WINDOW MOUNTING FLANGE AND ADHERING TO THE EXPOSED SHEATHING.

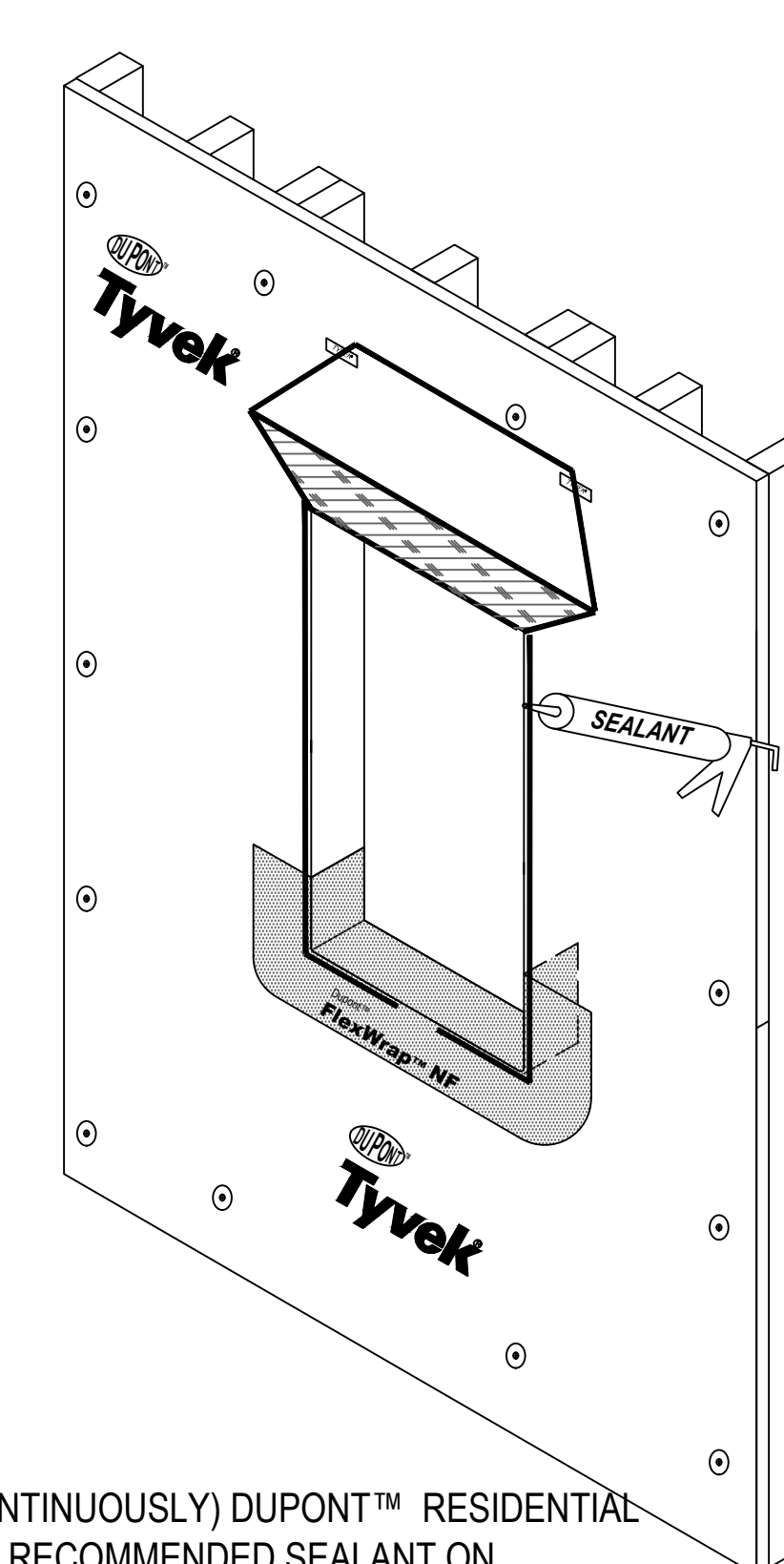
**STEP 12**

- A. CUT TWO PIECES OF DUPONT™ FLASHING TAPE OR DUPONT™ STRAIGHTFLASH™ FOR JAMB FLASHING EXTENDING 1" ABOVE WINDOW HEAD FLANGE AND 4" TO 6" BELOW BOTTOM EDGE OF SILL FLASHING.
- B. REMOVE RELEASE PAPER AND PRESS TIGHTLY ALONG SIDES OF WINDOW FRAME.



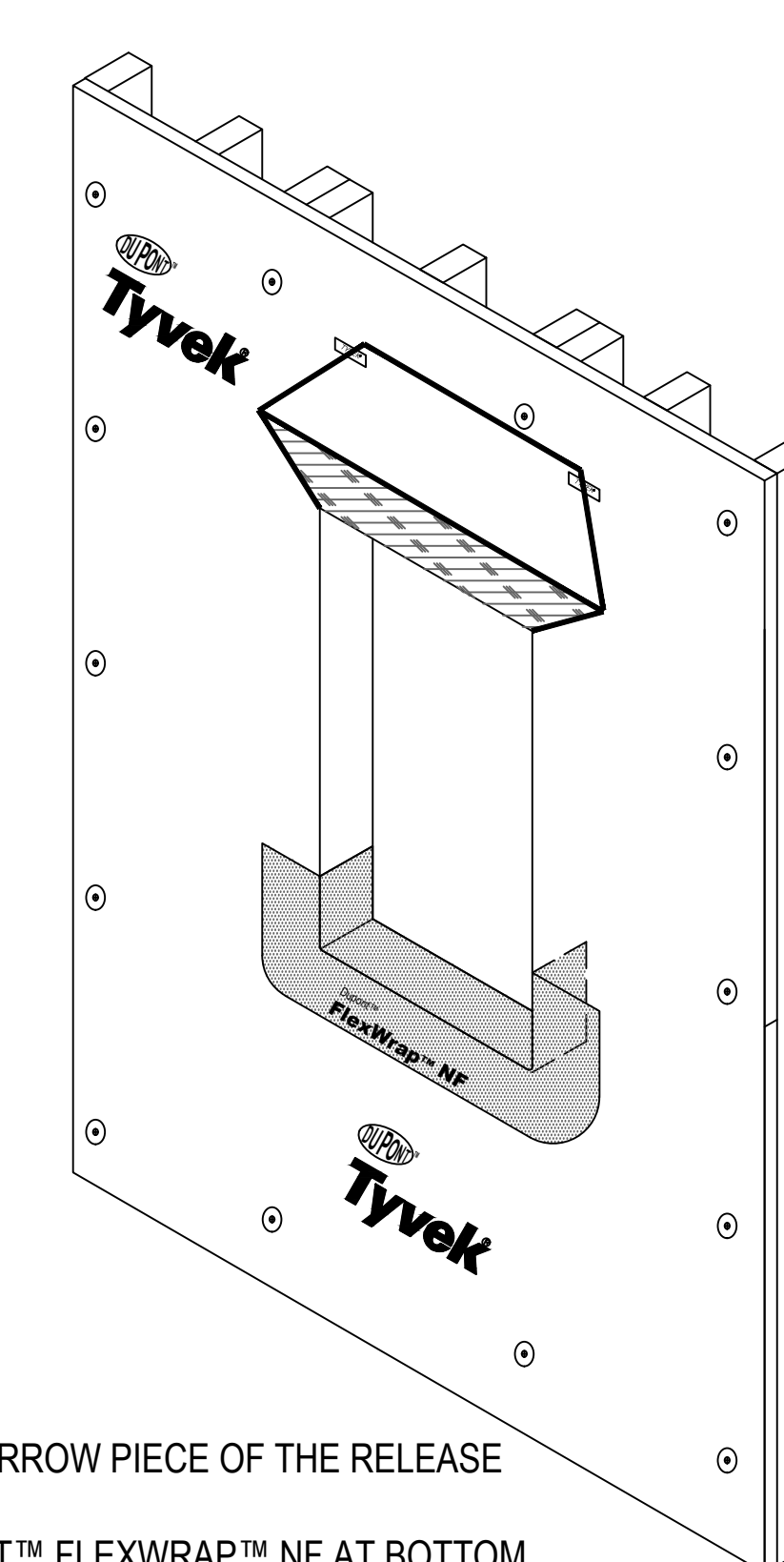
**STEP 11**

- A. INSTALL WINDOW ACCORDING TO MANUFACTURER'S INSTALLATION INSTRUCTIONS.



**STEP 10**

- A. APPLY (CONTINUOUSLY) DUPONT™ RESIDENTIAL SEALANT OR RECOMMENDED SEALANT ON THE HEAD AND JAMBS OF ROUGH OPENING (ON TOP OF WRB).
- B. IF SEALANT IS APPLIED TO THE SILL, ENSURE THAT THERE ARE AT LEAST TWO (2) 2" INCH GAPS IN THE SEALANT BEAD FOR EVERY 4' OF WINDOW TO ALLOW FOR DRAINAGE.



**STEP 9**

- A. REMOVE NARROW PIECE OF THE RELEASE PAPER.
- B. FAN DUPONT™ FLEXWRAP™ NF AT BOTTOM CORNERS AND ADHERE ONTO EXTERIOR FACE OF WALL. COVERAGE SHOULD BE 2" TO 3" INCHES ONTO THE FACE OF THE WALL.
- C. PRESS SILL FLASHING W/ FIRM HAND .PRESSURE OR J-ROLLER TO ENSURE FULL ADHESION ON ALL SURFACES.

Integral Flanged Window After WRB Installation Sequence

<b>DRAWING:</b>		REVISION DATE
R-OP-2110-MA, Page 2 of 2		11/1/2016
SCALE: NOT TO SCALE		

NOTE: FOR ADDITIONAL INFORMATION REGARDING PRODUCT INSTALLATION, REFER TO THE APPLICABLE DUPONT™ SELF-ADHERED FLASHING SYSTEMS PRODUCTS INSTALLATION GUIDELINE.

