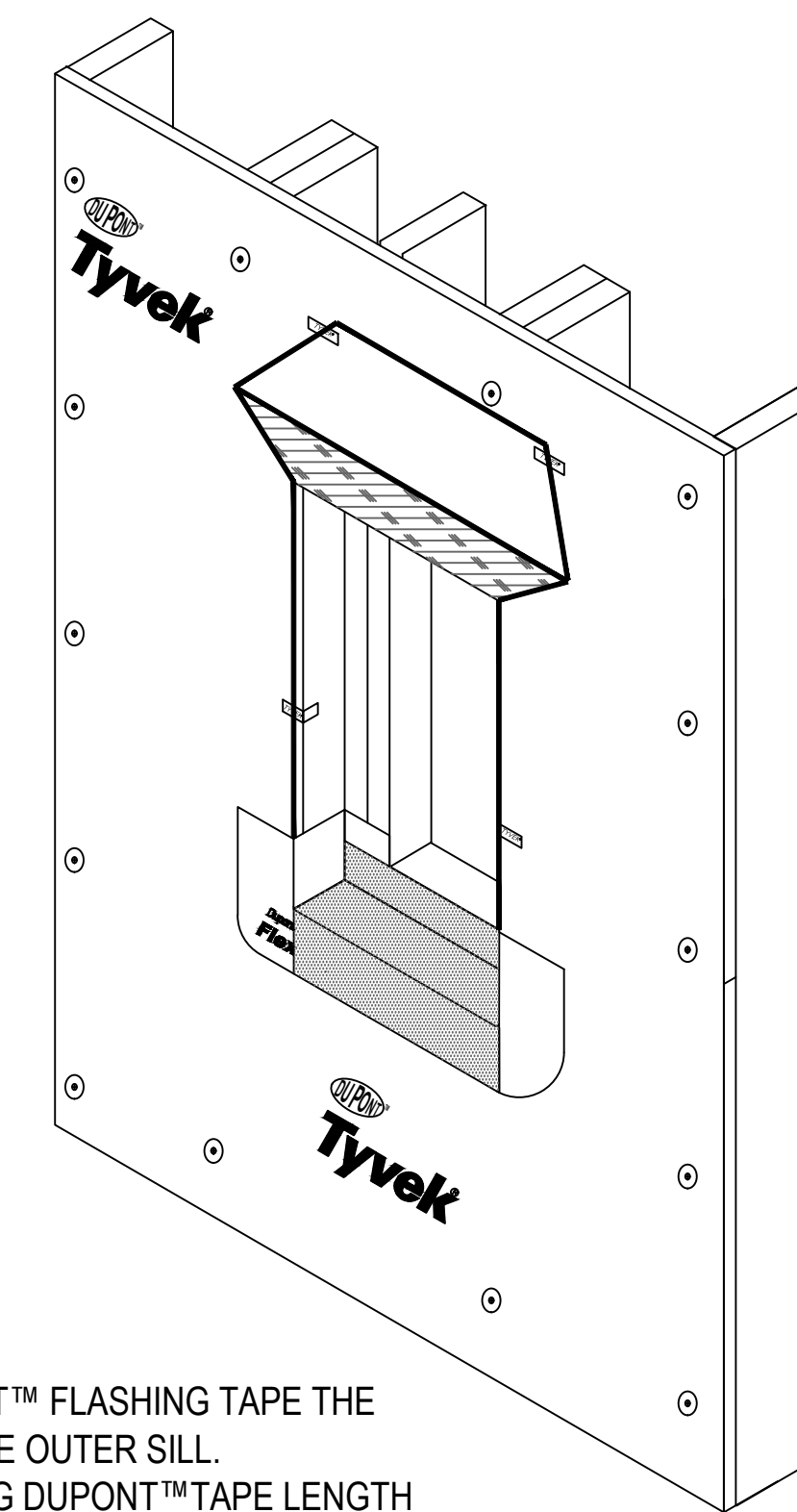


STEP 8

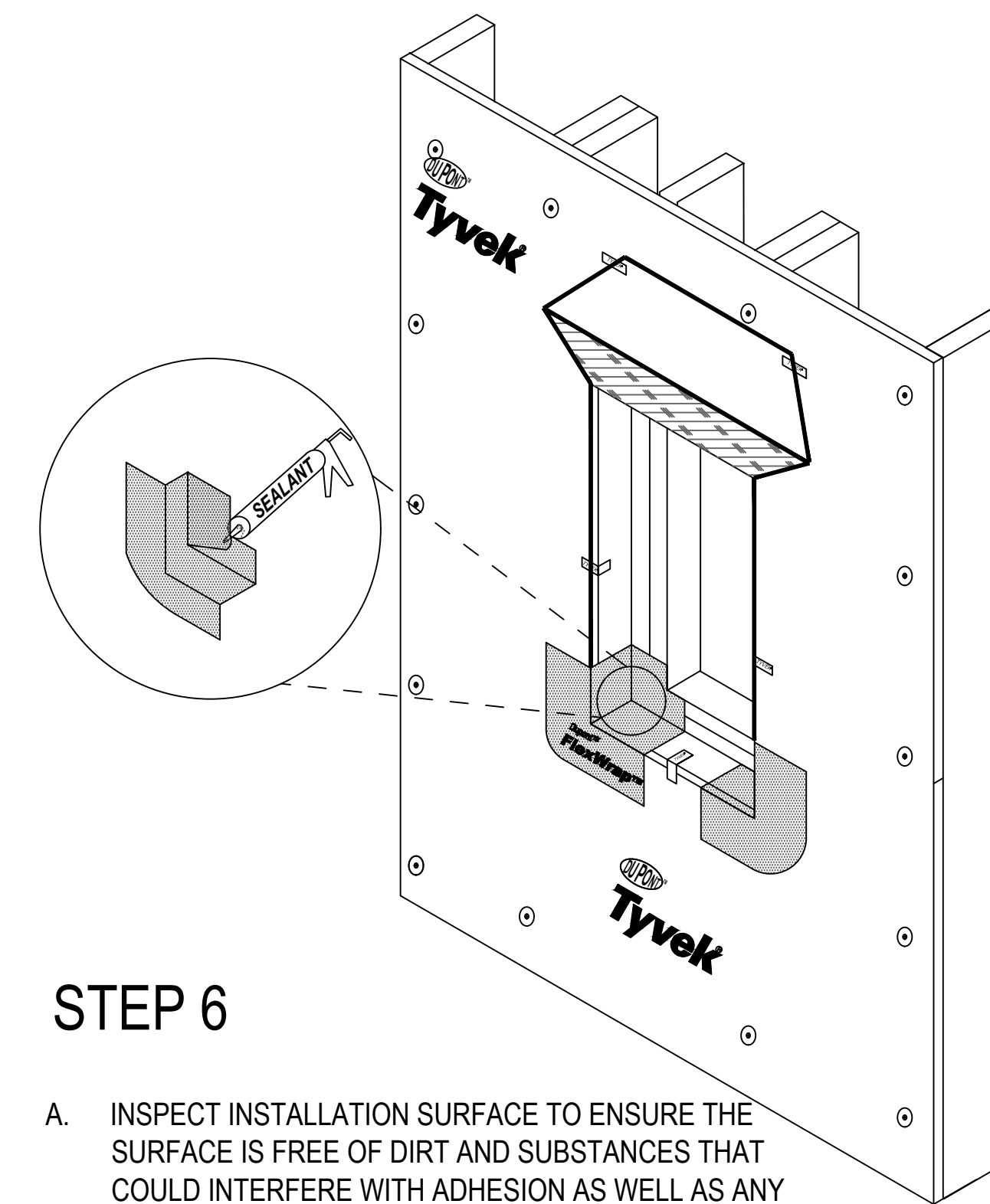
- CUT DUPONT™ FLEXWRAP™ NF AT LEAST 12" LONGER THAN THE WIDTH OF THE INNER/RECESSED SILL.
- INSTALL THE SILL FLASHING. REMOVE THE LARGEST STRIP OF RELEASE PAPER, ALIGN THE FLASHING WITH THE INTERIOR EDGE OF SILL AND INSTALL INTO ROUGH OPENING ACROSS SILL AND UP JAMBS (6" MIN.).
- APPLY WORKING FROM THE MIDDLE OF THE SILL TOWARDS THE SIDES. SECURE DUPONT™ FLEXWRAP™ NF TIGHTLY INTO THE CORNERS BY FIRST WORKING IN ALONG THE SILL BEFORE ADHERING UP THE JAMBS.
- DO NOT STRETCH MATERIAL ALONG THE SILL OR JAMBS.**

NOTE: DUPONT™ FLEXWRAP™ NF SHOULD NOT EXTEND/TRANSITION ONTO THE OUTER SILL.



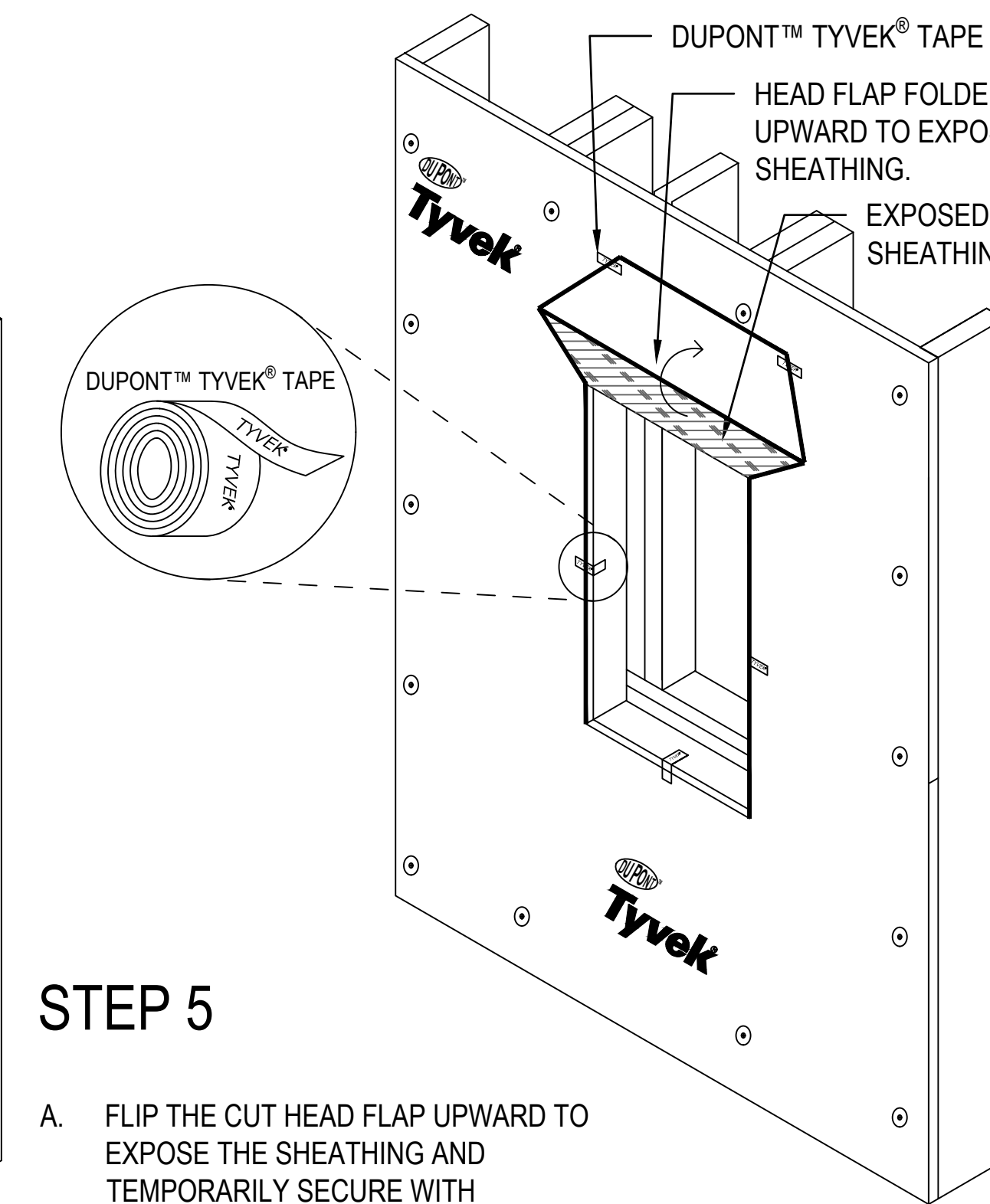
STEP 7

- CUT 9" DUPONT™ FLASHING TAPE THE LENGTH OF THE OUTER SILL.
- FOLD FLASHING DUPONT™ TAPE LENGTH WISE TO ACCOMMODATE INSIDE AND OUTSIDE CORNER OF RECESS AND EXTEND MIN. 2" ONTO RECESSED WINDOW FRAME AND 2" TO 3" ONTO FACE OF WALL.
- REMOVE RELEASE PAPER AND INSTALL.



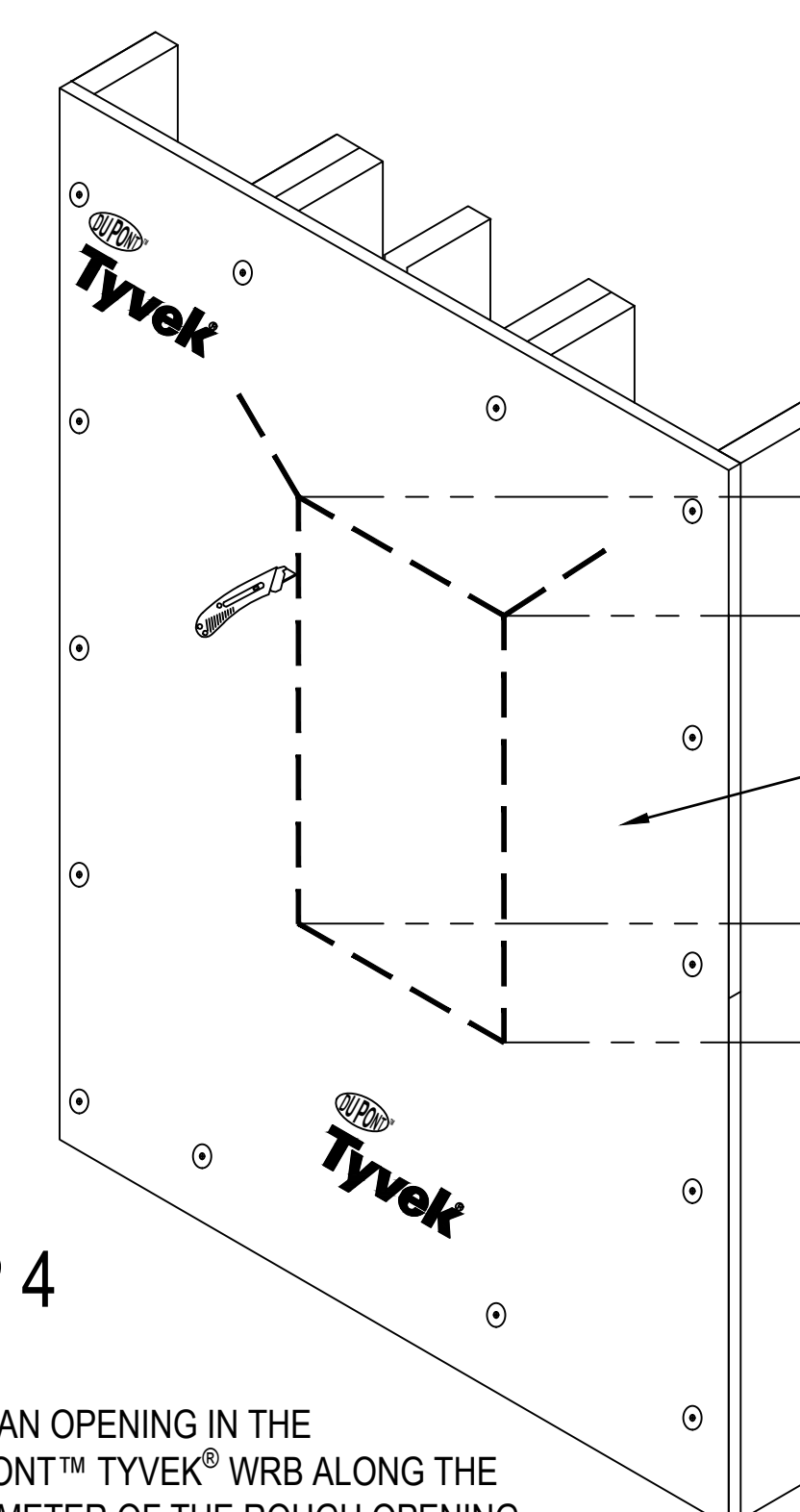
STEP 6

- INSPECT INSTALLATION SURFACE TO ENSURE THE SURFACE IS FREE OF DIRT AND SUBSTANCES THAT COULD INTERFERE WITH ADHESION AS WELL AS ANY SHARP PROTRUSIONS.
- PLACE DUPONT™ FLEXWRAP™ NF RECESSED WINDOW CORNERS PIECE INTO THE CORNER, WHICH SHOULD EXTEND MIN. 2" ONTO THE WINDOW FRAME AND 2" TO 3" ONTO THE FACE OF THE WALL.
- INSTALL DUPONT™ RESIDENTIAL SEALANT OR RECOMMENDED SEALANT BEHIND THE LOOSE TRIANGULAR FLAP OF THE DUPONT™ FLEXWRAP™ NF RECESSED WINDOW CORNER PIECE AND PRESS FLAP INTO SEALANT.



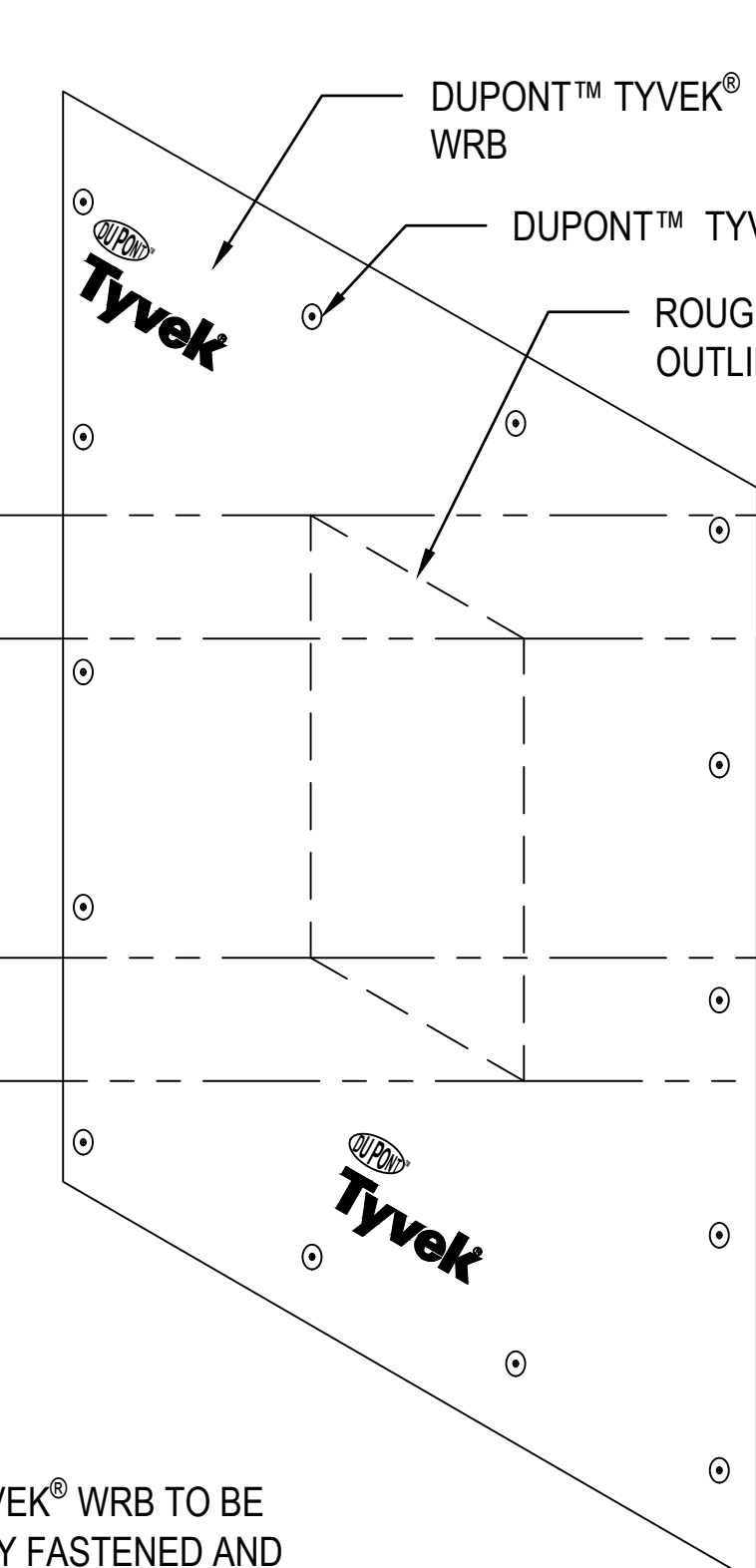
STEP 5

- FLIP THE CUT HEAD FLAP UPWARD TO EXPOSE THE SHEATHING AND TEMPORARILY SECURE WITH DUPONT™ TYVEK™ TAPE.
- USE THE DUPONT™ TYVEK™ WATER BARRIER AROUND THE ROUGH OPENING BEFORE FLASHING IS INSTALLED TO HELP FACILITATE FLASHING INSTALLATION.



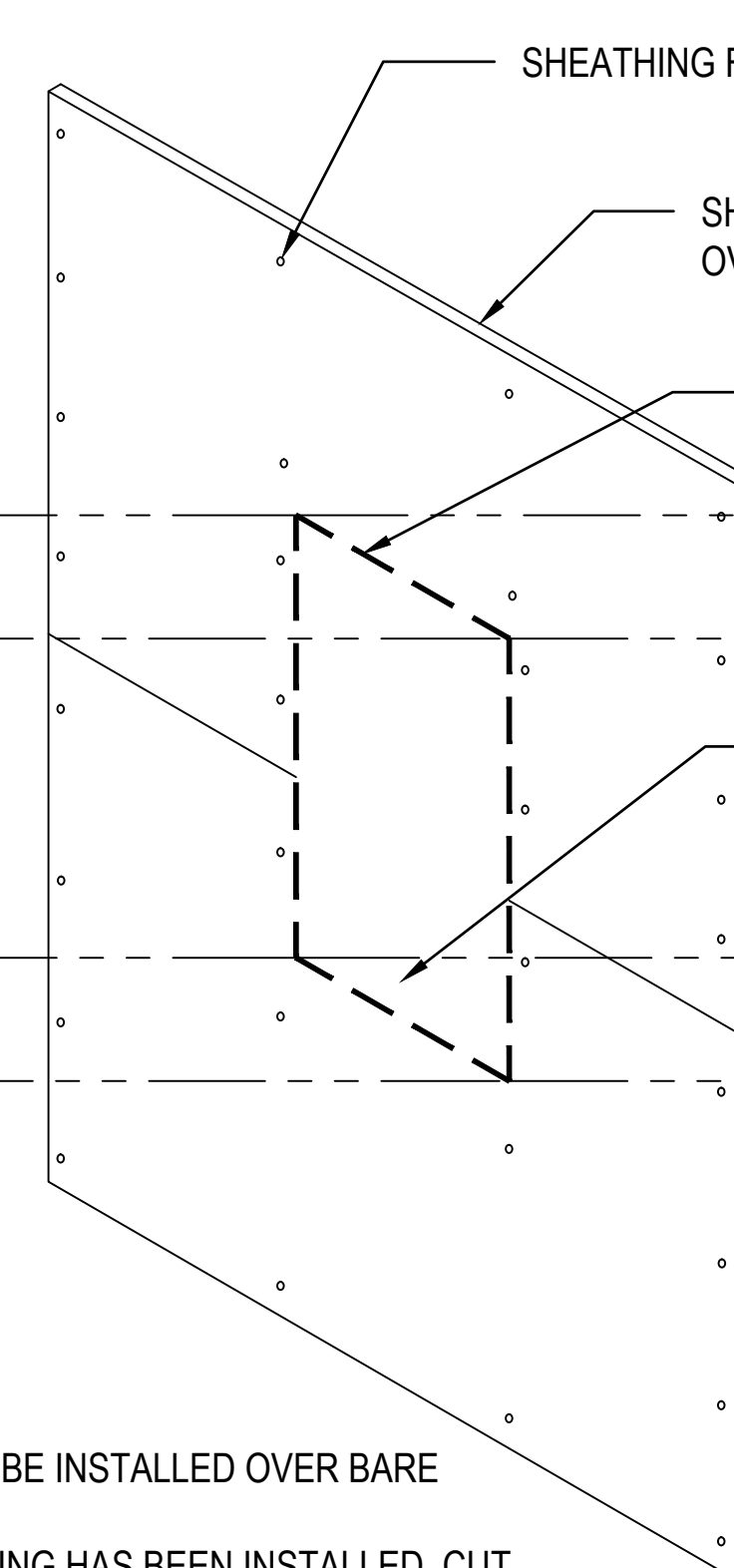
STEP 4

- CUT AN OPENING IN THE DUPONT™ TYVEK™ WRB ALONG THE PERIMETER OF THE ROUGH OPENING. ENSURE THE DUPONT™ TYVEK™ WRB IS CUT FLUSH WITH THE SHEATHING AND IS NOT WRAPPED INTO THE ROUGH OPENING.
- CUT A HEAD FLAP AT A 45 ANGLE TO EXPOSE 8" OF SHEATHING TO ALLOW FOR HEAD FLASHING INSTALLATION.



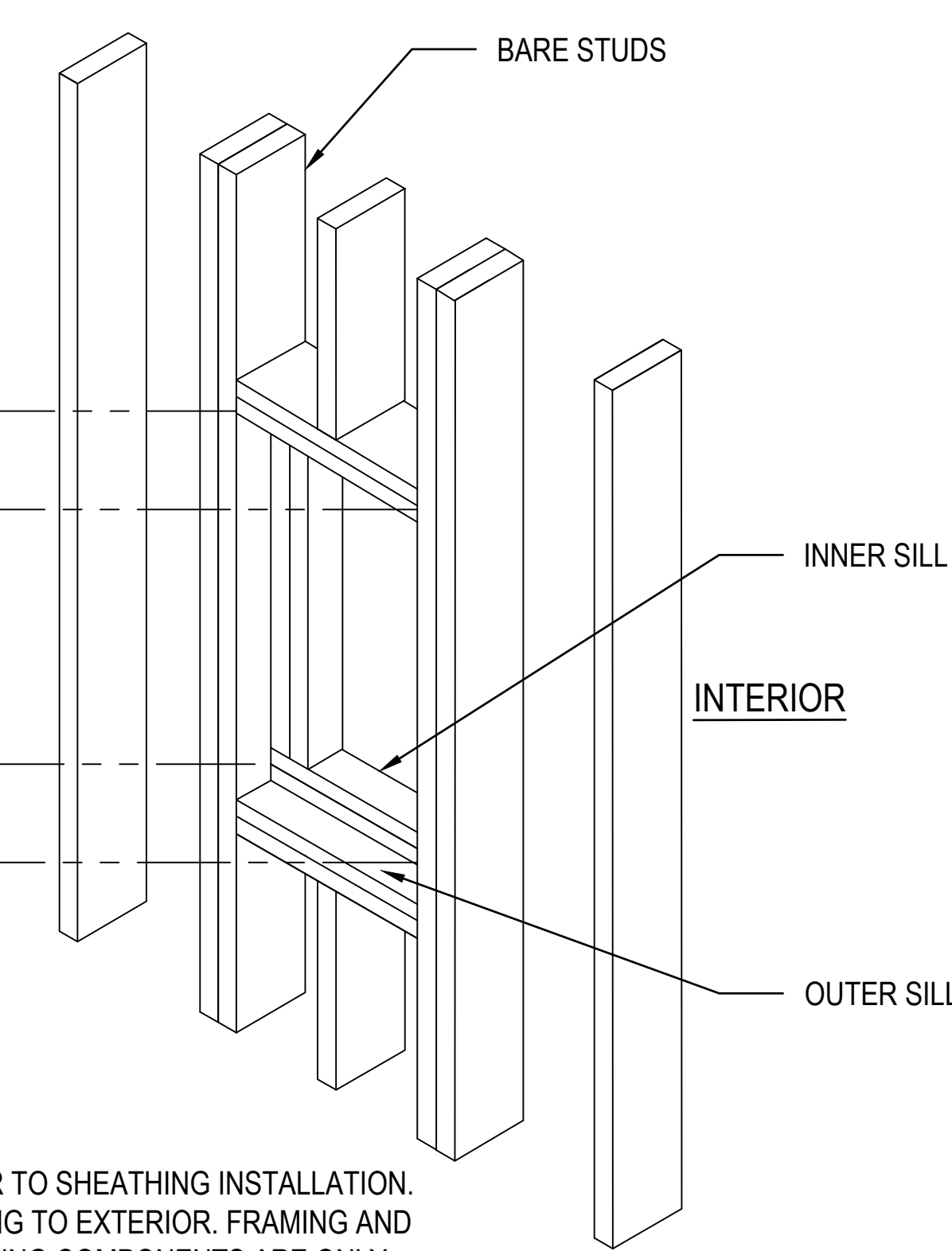
STEP 3

- DUPONT™ TYVEK™ WRB TO BE MECHANICALLY FASTENED AND INSTALLED OVER SHEATHING.
- DO NOT INSTALL FASTENERS WITHIN 6" OF THE SILLS AND JAMBS OF THE OPENINGS AND WITHIN 9" OF THE HEAD OPENINGS.



STEP 2

- SHEATHING TO BE INSTALLED OVER BARE STUDS.
- AFTER SHEATHING HAS BEEN INSTALLED, CUT AN OPENING IN THE SHEATHING ALONG THE PERIMETER OF THE ROUGH OPENING FOR WINDOW.
- ENSURE THE SHEATHING IS CUT FLUSH WITH OR SLIGHTLY BELOW THE SILL FRAMING TO ALLOW FOR POSITIVE DRAINAGE.



STEP 1

BARE STUDS PRIOR TO SHEATHING INSTALLATION. SLOPE SILL FRAMING TO EXTERIOR. FRAMING AND NON-WATERPROOFING COMPONENTS ARE ONLY SHOWN SCHEMATICALLY. SEE DRAWINGS BY OTHERS FOR DETAILED INFORMATION.

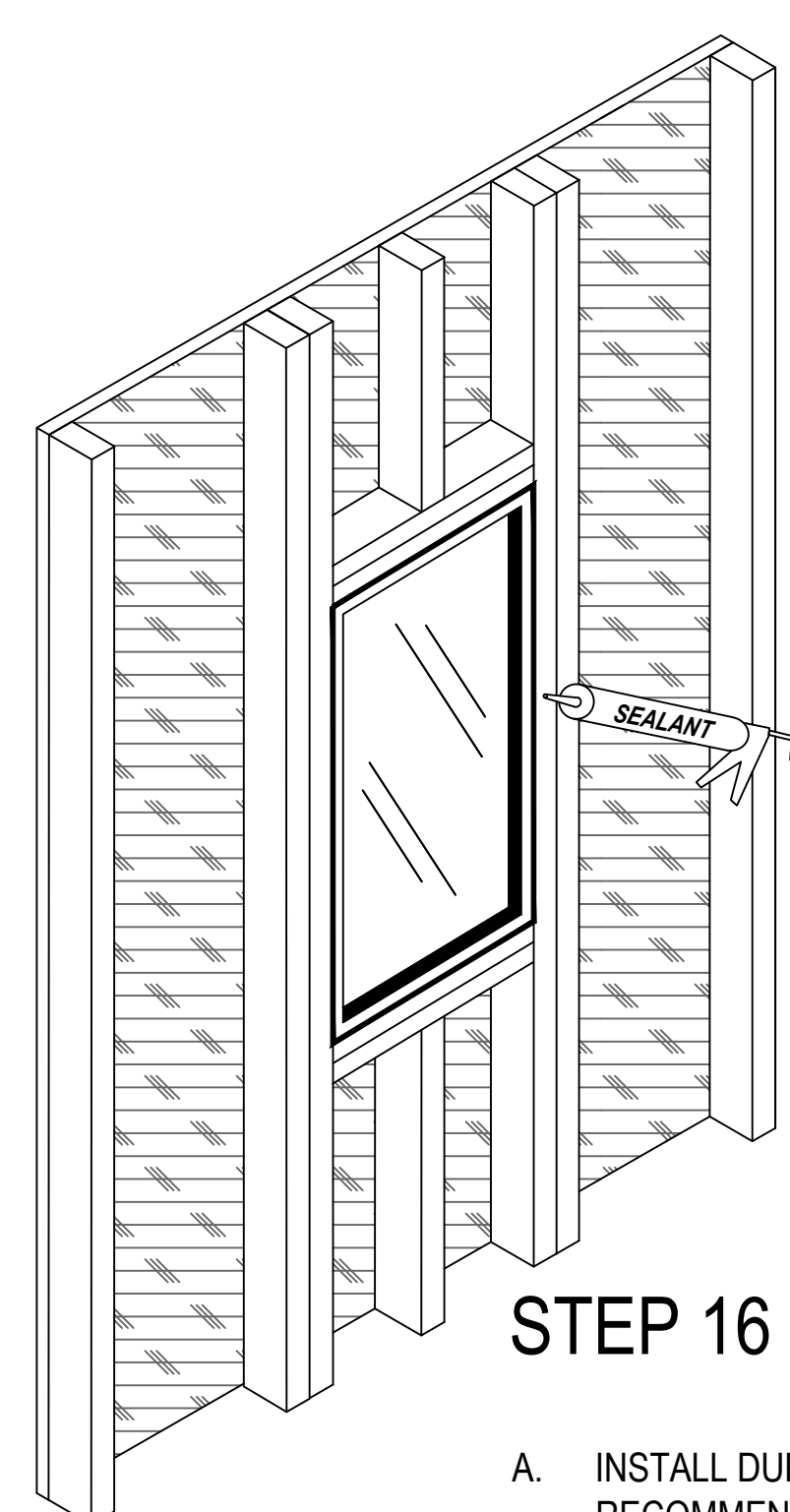
- NOTES:**
- FOR ADDITIONAL INFORMATION REGARDING PRODUCT INSTALLATION AND/OR FABRICATION INSTRUCTIONS FOR RECESSED WINDOW CORNERS, REFER TO THE APPLICABLE DUPONT™ SELF-ADHERED FLASHING SYSTEMS PRODUCTS INSTALLATION GUIDELINE.
 - INSTALLATION IS APPLICABLE FOR BUILDINGS LESS THAN 5 STORIES AND LOW-RISE MULTI-FAMILY RESIDENTIAL BUILDINGS LESS THAN 6 STORIES WHEN PERFORMANCE REQUIREMENTS DO NOT EXCEED ASTM E1677 (65 MPH EQUIVALENT STRUCTURAL LOAD AND 15 MPH EQUIVALENT WIND-DRIVEN RAIN WATER INFILTRATION), AND WINDOW/DOOR DESIGN RATINGS THAT DO NOT EXCEED DP45.

**Integral Flanged Window
Recessed Up to 4" After WRB
Installation Sequence**

DRAWING:
R-OP-2150-MA, Page 1 of 2

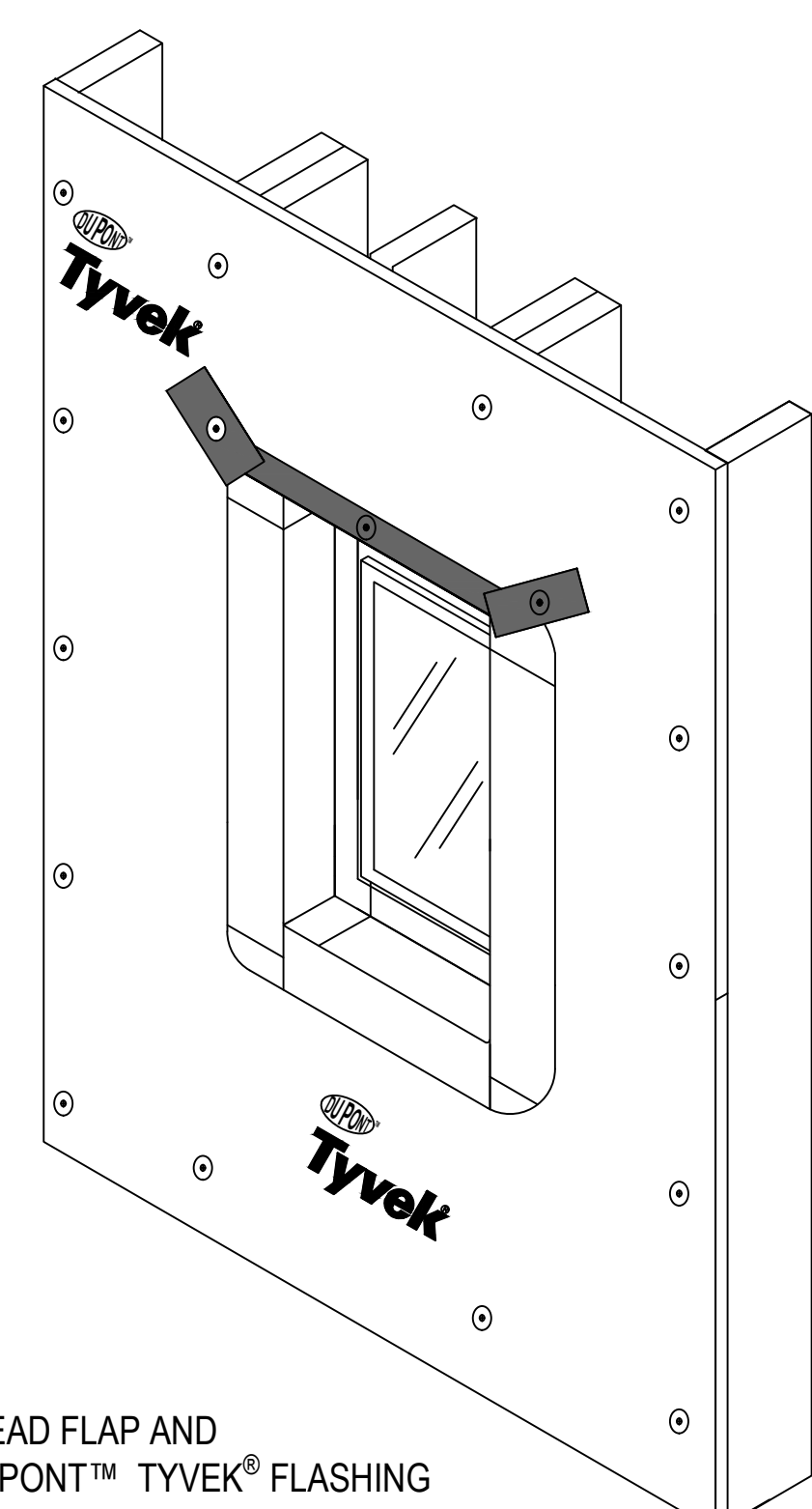
REVISION DATE:
11/11/2016
SCALE: Not to Scale





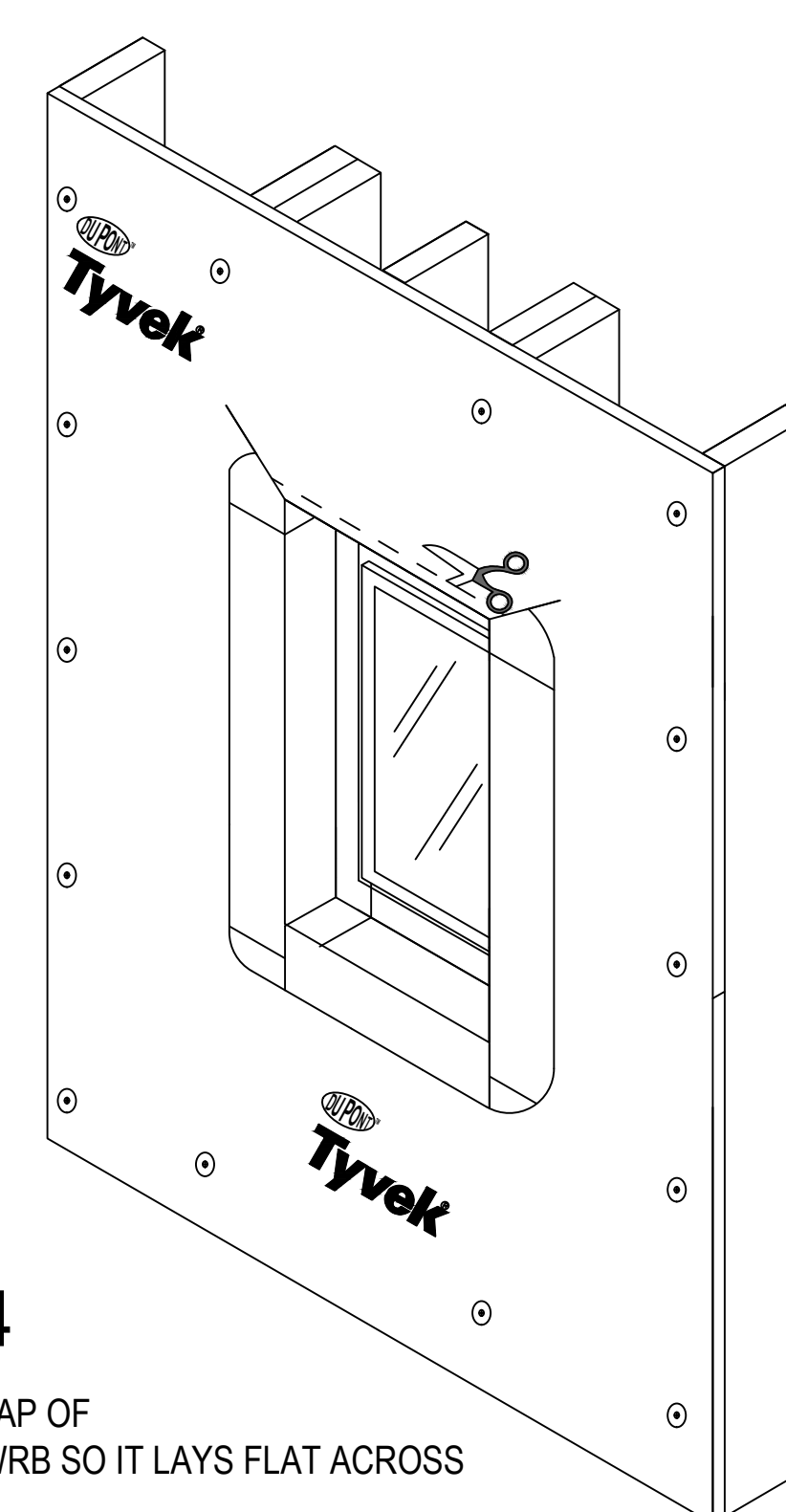
STEP 16

- A. INSTALL DUPONT™ RESIDENTIAL SEALANT OR RECOMMENDED SEALANT (AND BACKER ROD AS NECESSARY) AROUND THE WINDOW OPENING AT THE INTERIOR. IT IS ALSO ACCEPTABLE TO USE DUPONT™ WINDOW & DOOR FOAM OR RECOMMENDED FOAM AT THE INTERIOR CAVITY OF THE JAMBS AND HEAD. IF FOAM IS USED AT THE SILL, RECOMMENDED SEALANT SHOULD BE USED AT THE SILL AREA BEHIND THE FOAM TO ENSURE A PROPER WATER SEAL.



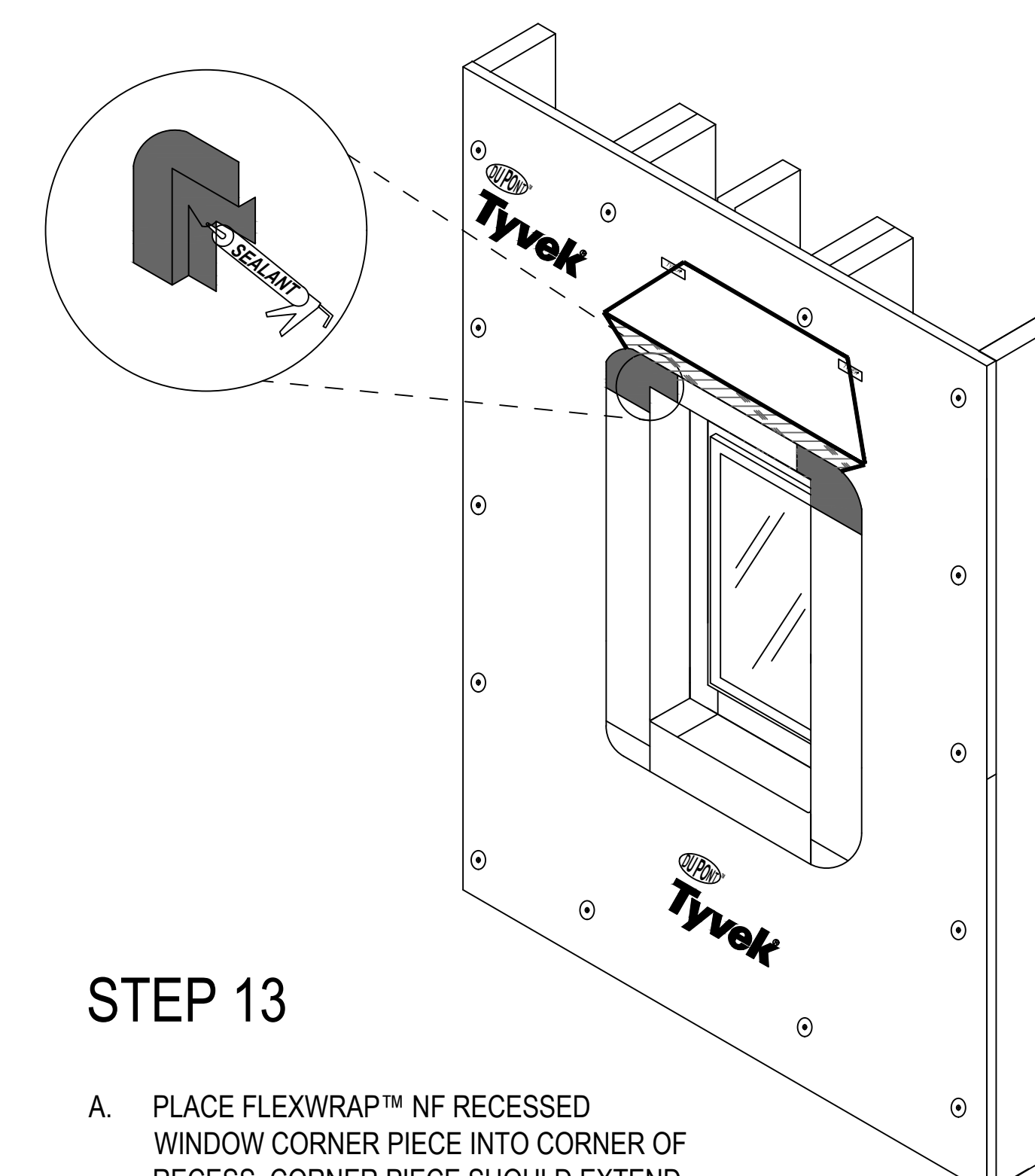
STEP 15

- A. FLIP DOWN HEAD FLAP AND INSTALL 4" DUPONT™ TYVEK® FLASHING TAPE OR STRAIGHTFLASH™ ALONG CUTS IN DUPONT™ TYVEK® WRB.
 B. INSTALL DUPONT™ TYVEK® WRAP CAP FASTENERS AT APPROPRIATE SPACING ALONG HEAD.



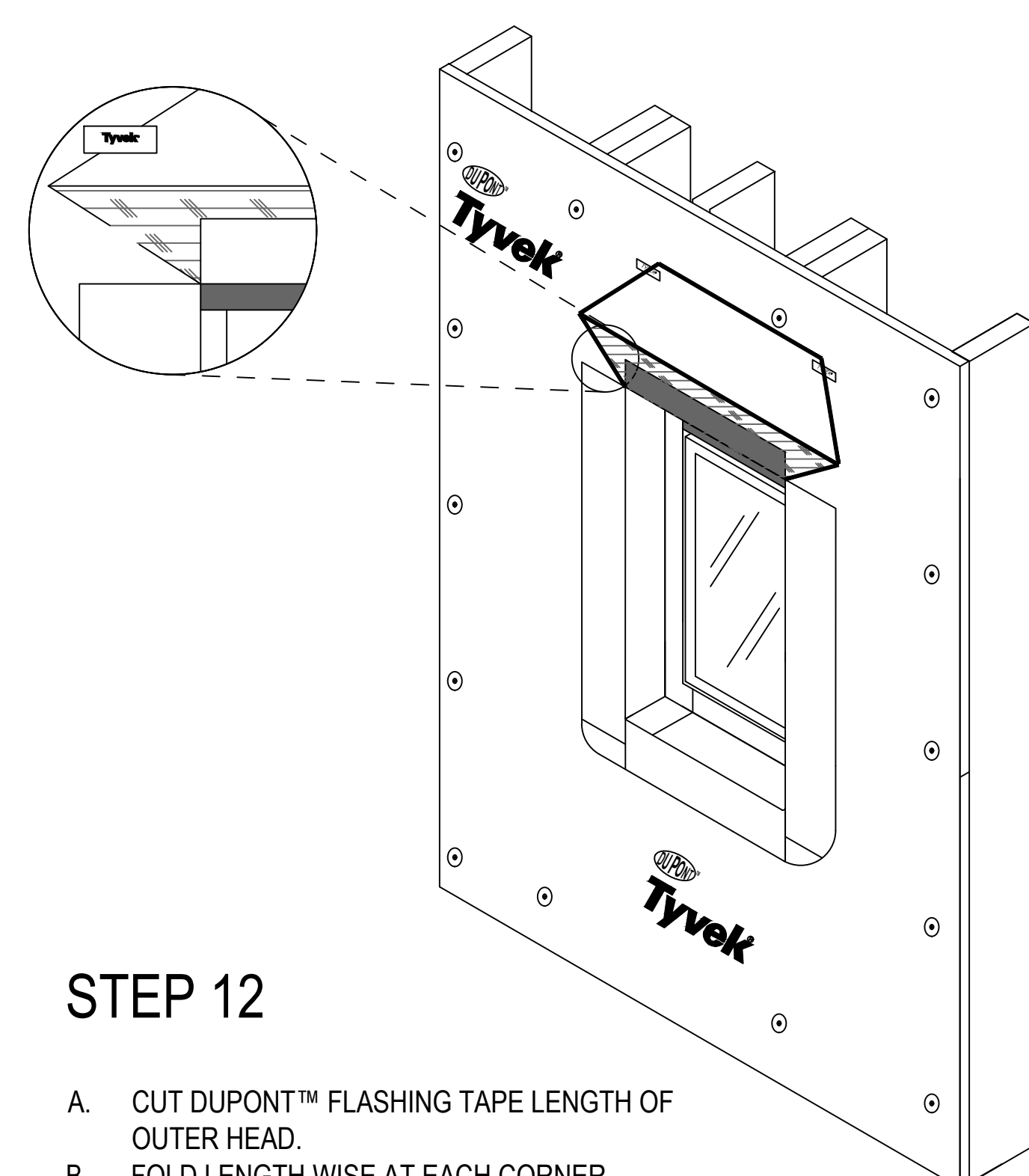
STEP 14

- A. FLIP DOWN UPPER FLAP OF DUPONT™ TYVEK® WRB SO IT LAYS FLAT ACROSS DUPONT™ FLEXWRAP™ NF AT HEAD OF OUTER RECESS.
 B. CUT 1" STRIP OF DUPONT™ TYVEK® WRB AT LOWER HORIZONTAL EDGE OF HEAD FLAP.



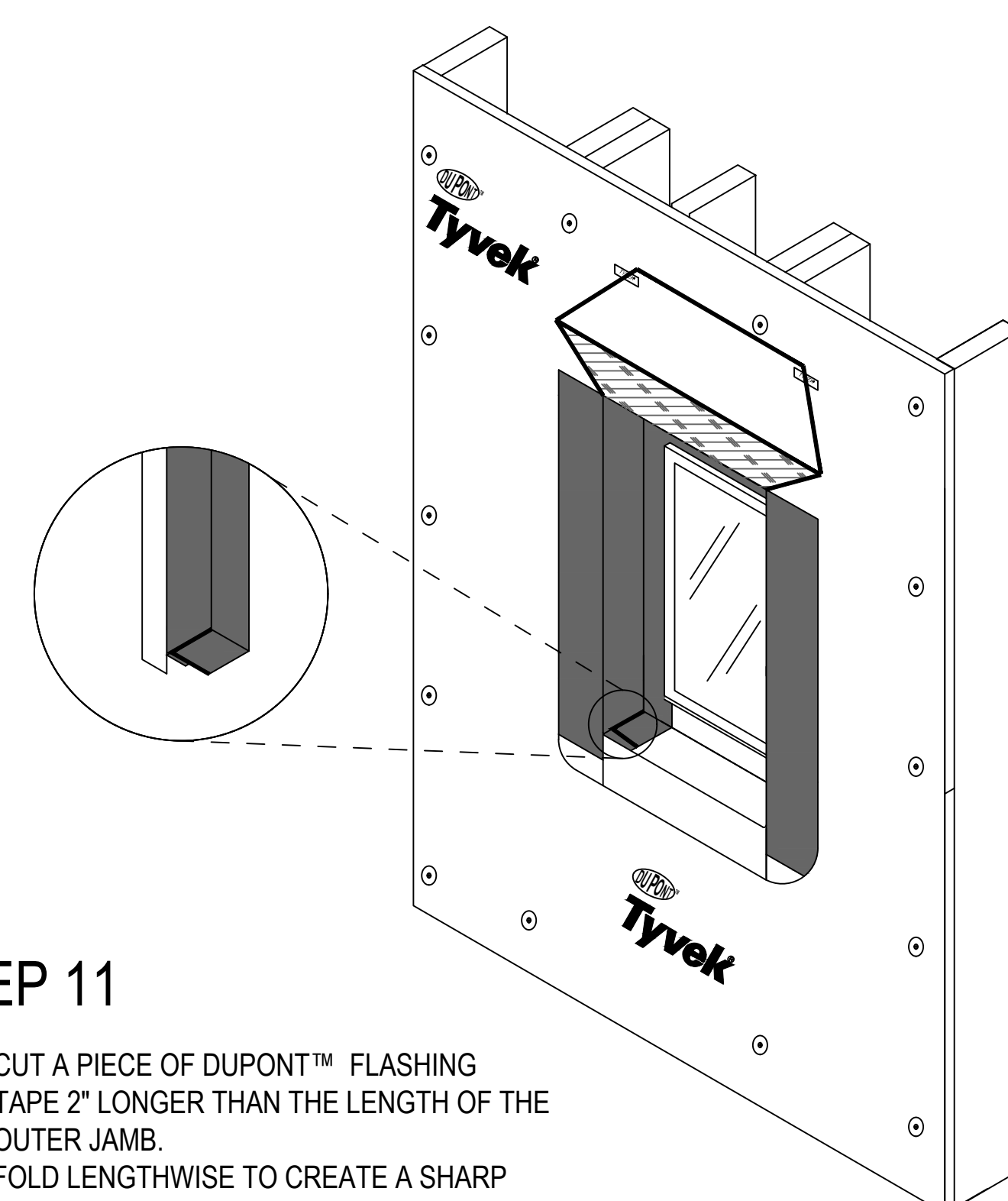
STEP 13

- A. PLACE FLEXWRAP™ NF RECESSED WINDOW CORNER PIECE INTO CORNER OF RECESS. CORNER PIECE SHOULD EXTEND MIN. 2" ONTO RECESSED WINDOW FRAME AND 2" TO 3" ONTO FACE OF WALL.
 B. INSTALL DUPONT™ RESIDENTIAL SEALANT OR RECOMMENDED SEALANT INTO DUPONT™ FLEXWRAP™ NF RECESSED WINDOW CORNER FLAP.



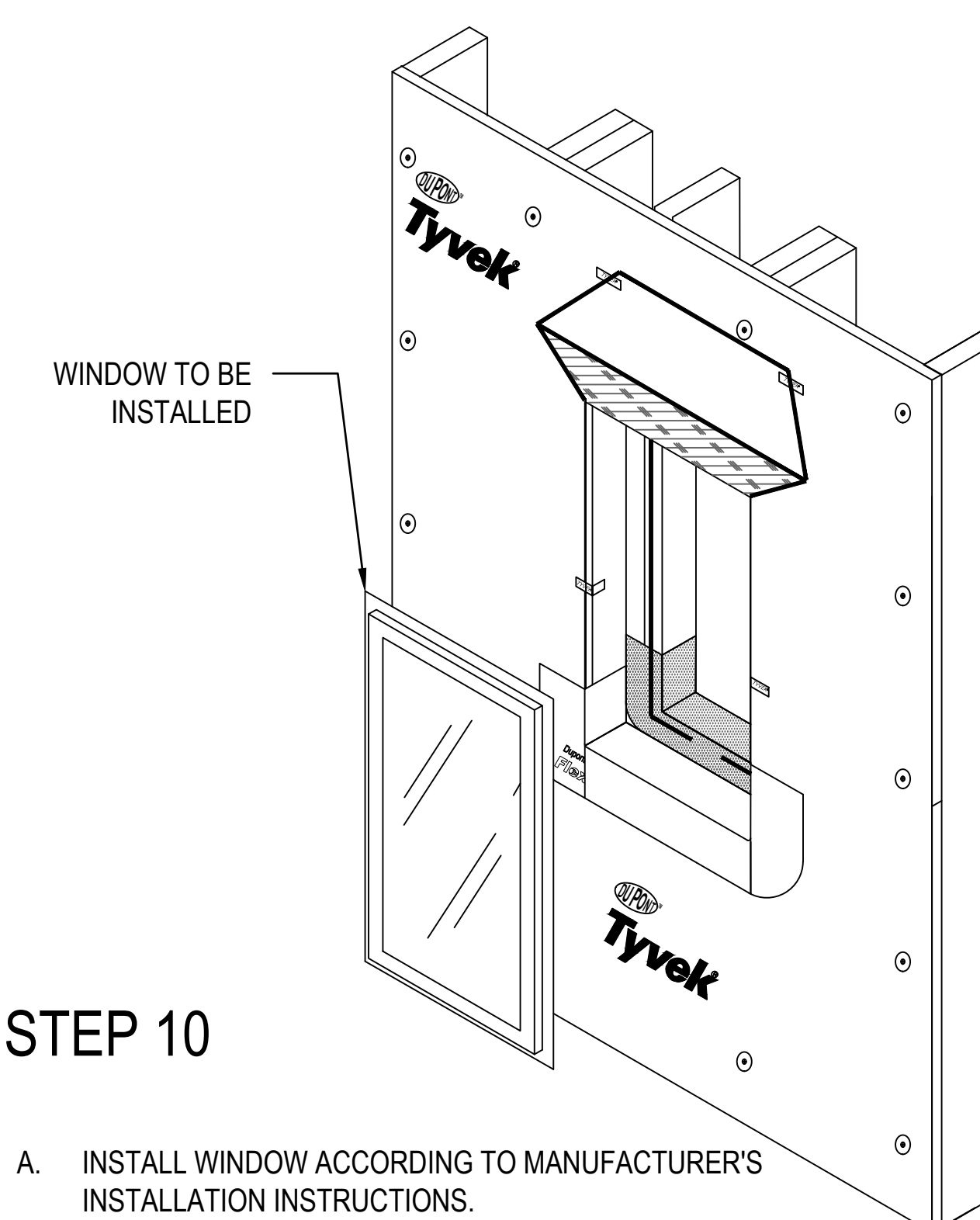
STEP 12

- A. CUT DUPONT™ FLASHING TAPE LENGTH OF OUTER HEAD.
 B. FOLD LENGTH WISE AT EACH CORNER.
 C. PULL RELEASE PAPER AND INSTALL STARTING FROM WINDOW HEAD FLANGE ENDING ON EXTERIOR SHEATHING.



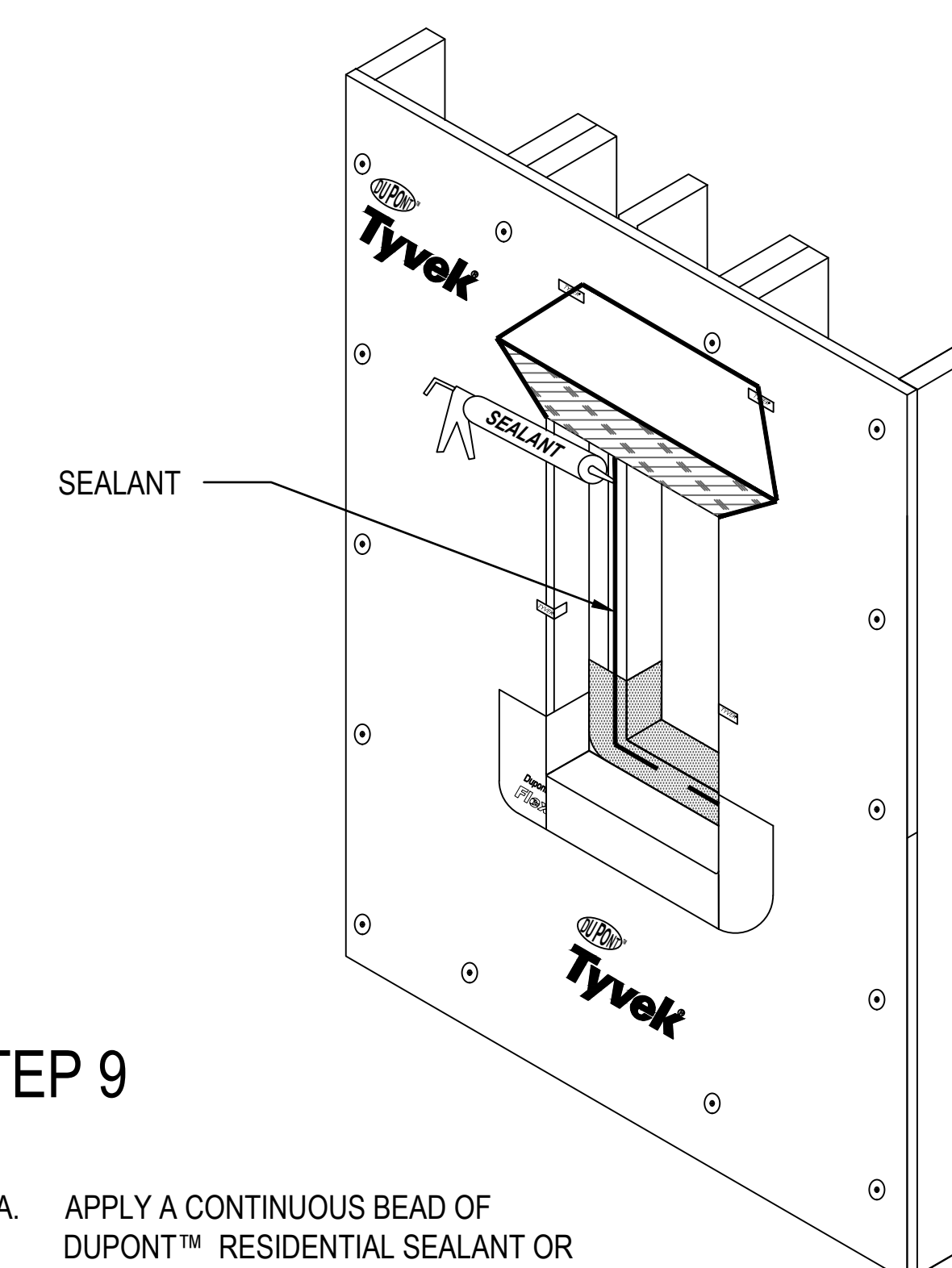
STEP 11

- A. CUT A PIECE OF DUPONT™ FLASHING TAPE 2" LONGER THAN THE LENGTH OF THE OUTER JAMB.
 B. FOLD LENGTHWISE TO CREATE A SHARP CREASE IN RELEASE PAPER THAT IS ALIGNED WITH THE INTERSECTION OF THE FACE OF THE STUD FRAMING AND JAMB WALL OF RECESS.
 C. STARTING AT THE BOTTOM, CUT A 2" VERTICAL SLIT IN THE DUPONT™ FLASHING TAPE ALONG THE CREASE. THIS WILL BE USED TO CREATE THE DUPONT™ FLASHING TAPE CORNER IN STEPS F AND H.
 D. REMOVE THE FIRST PIECE OF RELEASE PAPER TO EXPOSE THE BUTYL THAT WILL BE INSTALLED ONTO THE WINDOW FLANGE BY TEARING ALONG THE CREASE. LEAVE THE RELEASE PAPER ON THE 2" FLAP CREATED IN STEP C. DO NOT CUT RELEASE PAPER WITH SHARP OBJECT AS THIS COULD RESULT IN DAMAGE TO BUTYL AND COMPROMISE PROTECTION PROVIDED BY THE DUPONT™ FLASHING TAPE.
 E. STARTING AT THE TOP CORNER OF RECESS, ADHERE EXPOSED BUTYL ADHESIVE ONTO WINDOW FLANGE AND FACE OF STUD FRAMING.
 F. REMOVE THE RELEASE PAPER FROM THE CORNER FLAP IN THE DUPONT™ FLASHING TAPE CREATED IN STEP C, AND ADHERE THE FLAP TO THE SILL.
 G. ONCE BUTYL IS ADHERED TO THE WINDOW FLANGE, FACE OF STUD FRAMING, AND SILL, REMOVE THE REMAINING RELEASE PAPER - LEAVE THE RELEASE PAPER ON THE OTHER 2" FLAP CREATED IN STEP C. THE FLASHING CAN NOW BE ADHERED TIGHTLY INTO THE INSIDE CORNER CREATED BY THE STUD FRAMING AND JAMB WALL OF THE RECESS.
 H. REMOVE THE RELEASE PAPER FROM THE SECOND CORNER FLAP AND ADHERE OVER THE FIRST FLAP.
 I. APPLY DUPONT™ RESIDENTIAL SEALANT, OR RECOMMENDED SEALANT, TO THE INTERFACES AS SHOWN.
 J. REPEAT STEPS A THROUGH I FOR OPPOSITE JAMB.



STEP 10

- A. INSTALL WINDOW ACCORDING TO MANUFACTURER'S INSTALLATION INSTRUCTIONS.



STEP 9

- A. APPLY A CONTINUOUS BEAD OF DUPONT™ RESIDENTIAL SEALANT OR RECOMMENDED SEALANT ALONG THE WINDOW HEAD AND JAMBS.
 B. AT THE SILL, INSTALL SEALANT WITH A 2" MINIMUM GAP FOR EVERY 4' OF WINDOW TO ALLOW FOR PROPER DRAINAGE.
 C. DO NOT APPLY CONTINUOUS SEALANT BEAD ACROSS BOTTOM SILL FLANGE.

NOTES:

- FOR ADDITIONAL INFORMATION REGARDING PRODUCT INSTALLATION AND/OR FABRICATION INSTRUCTIONS FOR RECESSED WINDOW CORNERS, REFER TO THE APPLICABLE DUPONT™ SELF-ADHERED FLASHING SYSTEMS PRODUCTS INSTALLATION GUIDELINE.
- INSTALLATION IS APPLICABLE FOR BUILDINGS LESS THAN 5 STORIES AND LOW-RISE MULTI-FAMILY RESIDENTIAL BUILDINGS LESS THAN 6 STORIES WHEN PERFORMANCE REQUIREMENTS DO NOT EXCEED ASTM E1677 (65 MPH EQUIVALENT STRUCTURAL LOAD AND 15 MPH EQUIVALENT WIND-DRIVEN RAIN WATER INFILTRATION), AND WINDOW/DOOR DESIGN RATINGS THAT DO NOT EXCEED DP45.

Integral Flanged Window
 Recessed Up to 4" After WRB
 Installation Sequence

DRAWING:

R-OP-2150-MA, Page 2 of 2

REVISION DATE
 11/11/2016
 SCALE: Not to Scale



Tyvek.