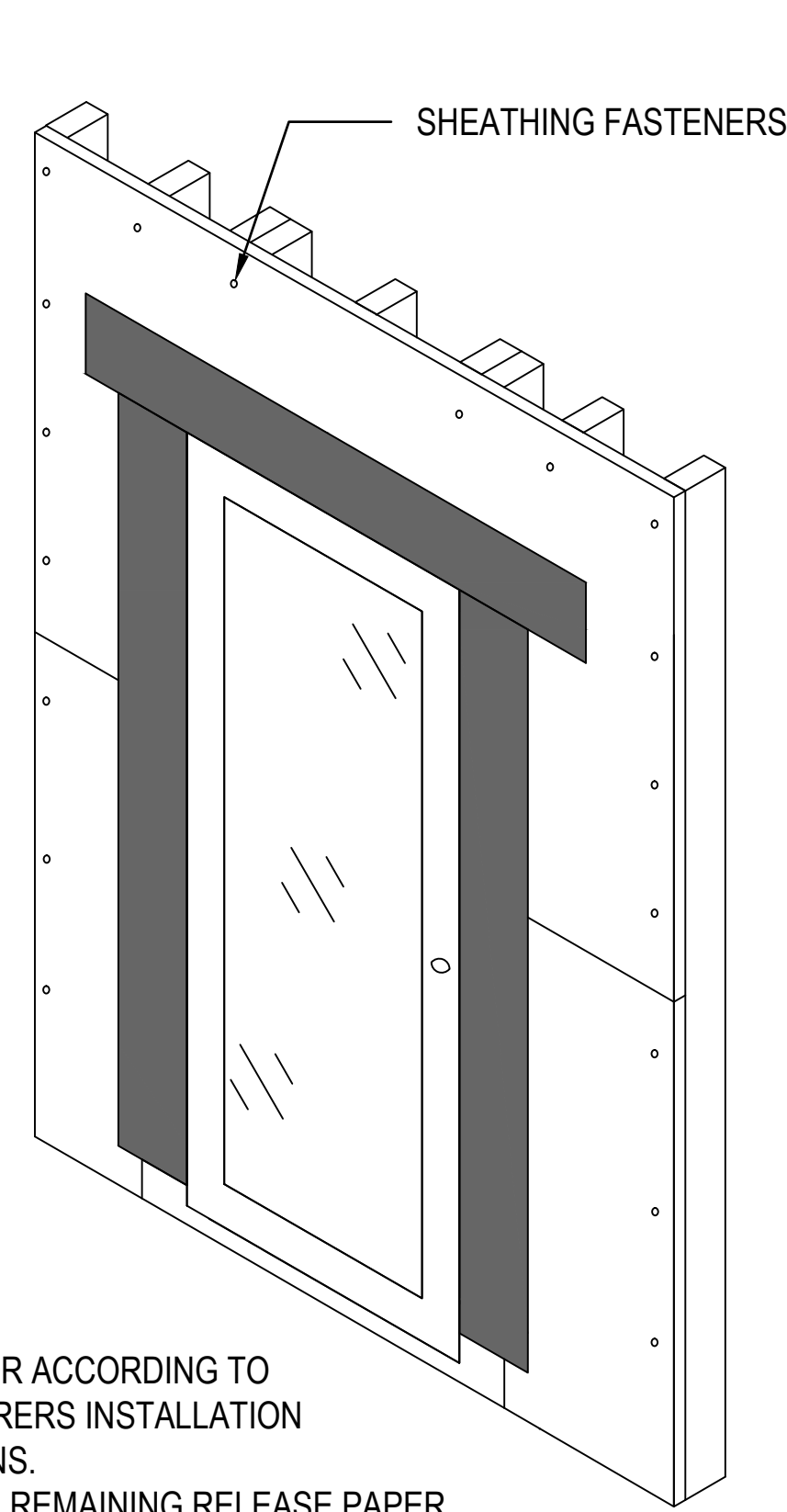


**STEP 8**

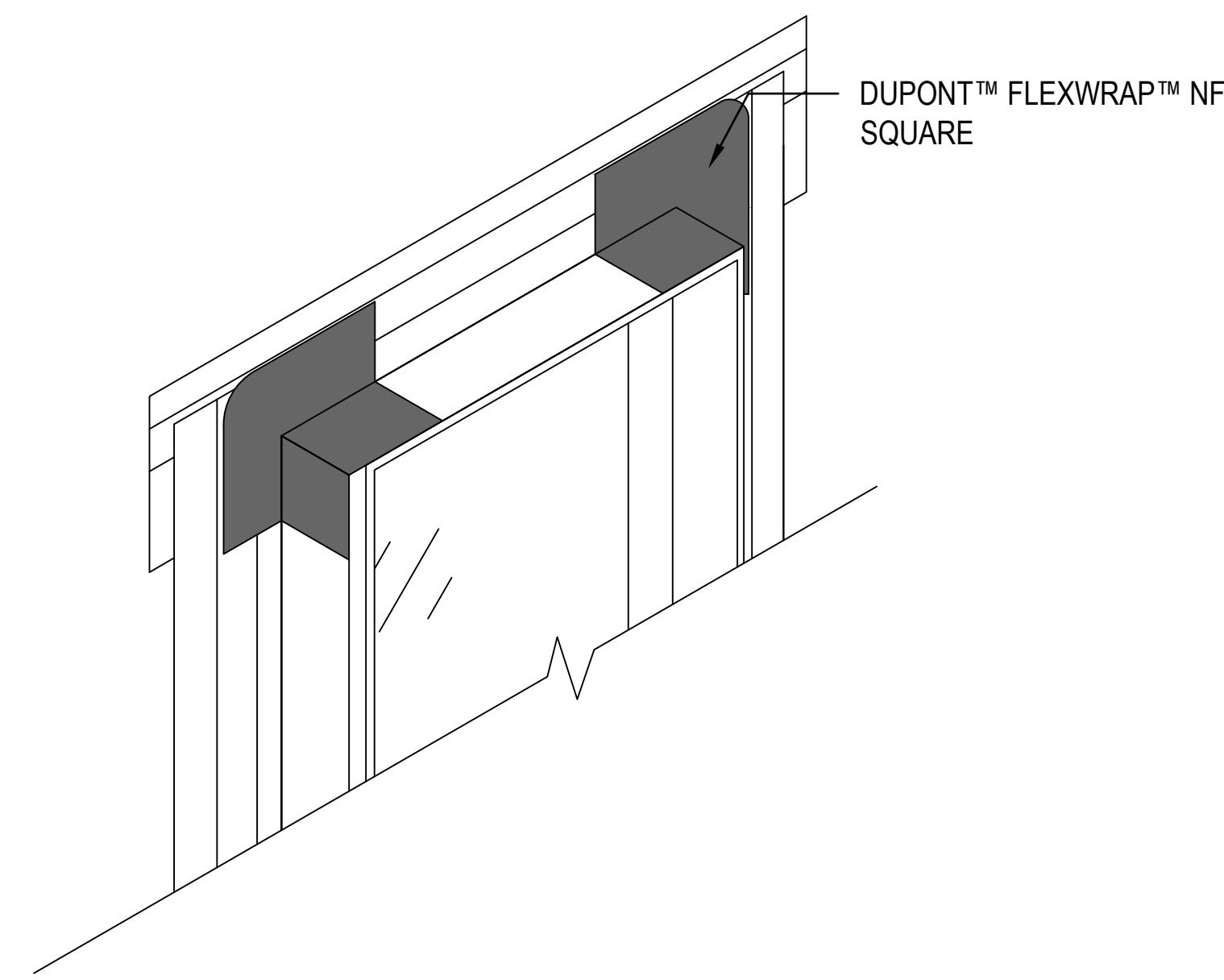
- A. INSTALL DOOR ACCORDING TO MANUFACTURERS INSTALLATION INSTRUCTIONS.
- B. REMOVE THE REMAINING RELEASE PAPER FROM THE DUPONT™ STRAIGHTFLASH™ VF JAMB FLASHING AND PRESS FIRMLY TO ADHERE TO WALL SHEATHING.
- C. REMOVE THE RELEASE PAPER AT THE HEAD AND ADHERE IT TO THE EXTERIOR SHEATHING.

OPTIONAL: COVER EXPOSED BUTYL WITH DUPONT™ STRAIGHTFLASH™, DUPONT™ FLASHING TAPE OR DUPONT™ TYVEK® TAPE. SEE APPLICABLE INSTALLATION GUIDELINES FOR INSTALLATION OF METAL HEAD FLASHING OPTION.



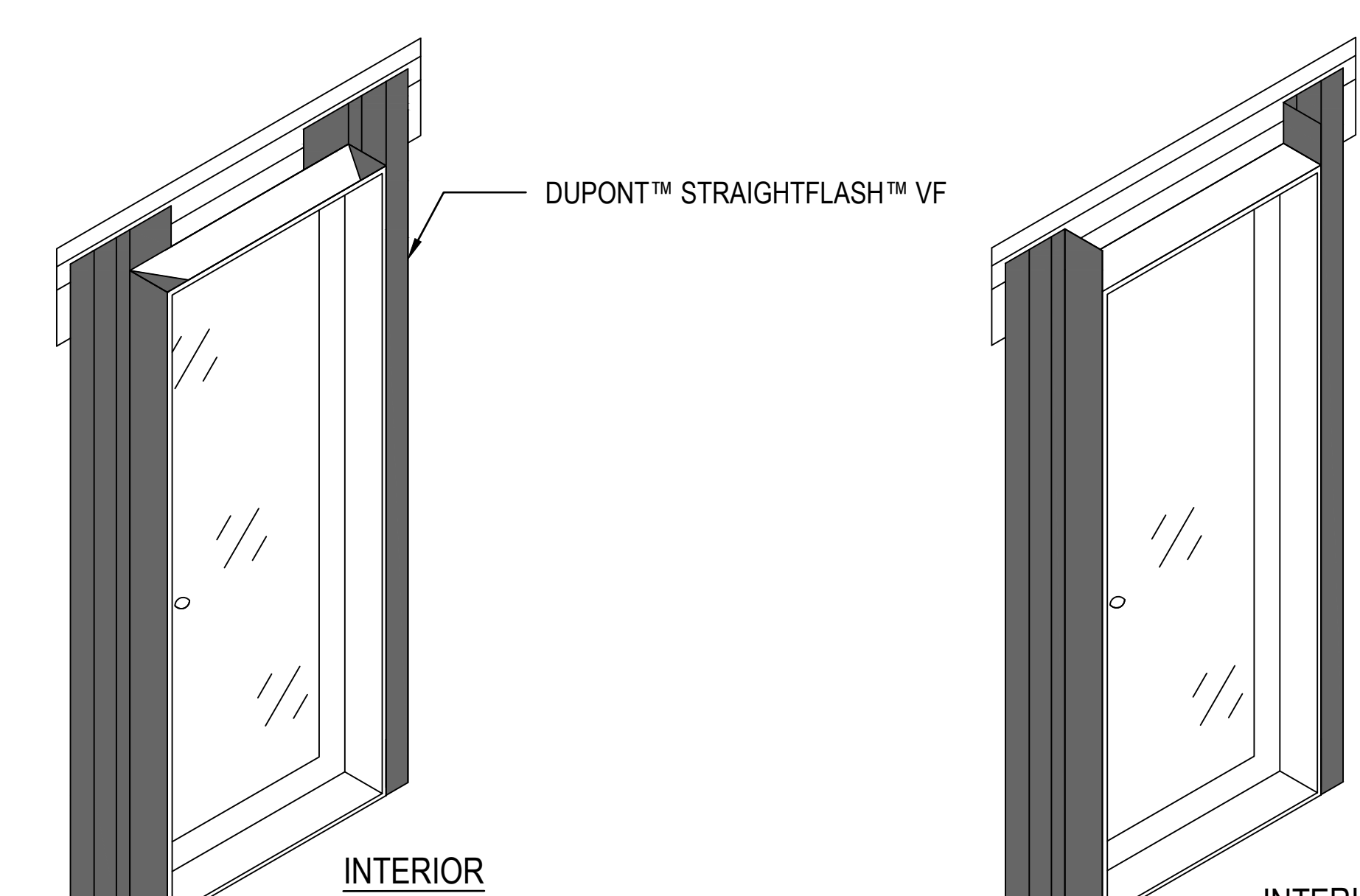
**STEP 7**

- A. CUT TWO 3" x 3" DUPONT™ FLEXWRAP™ NF SQUARES AND ADD PATCHES TO CORNER OF DOOR.



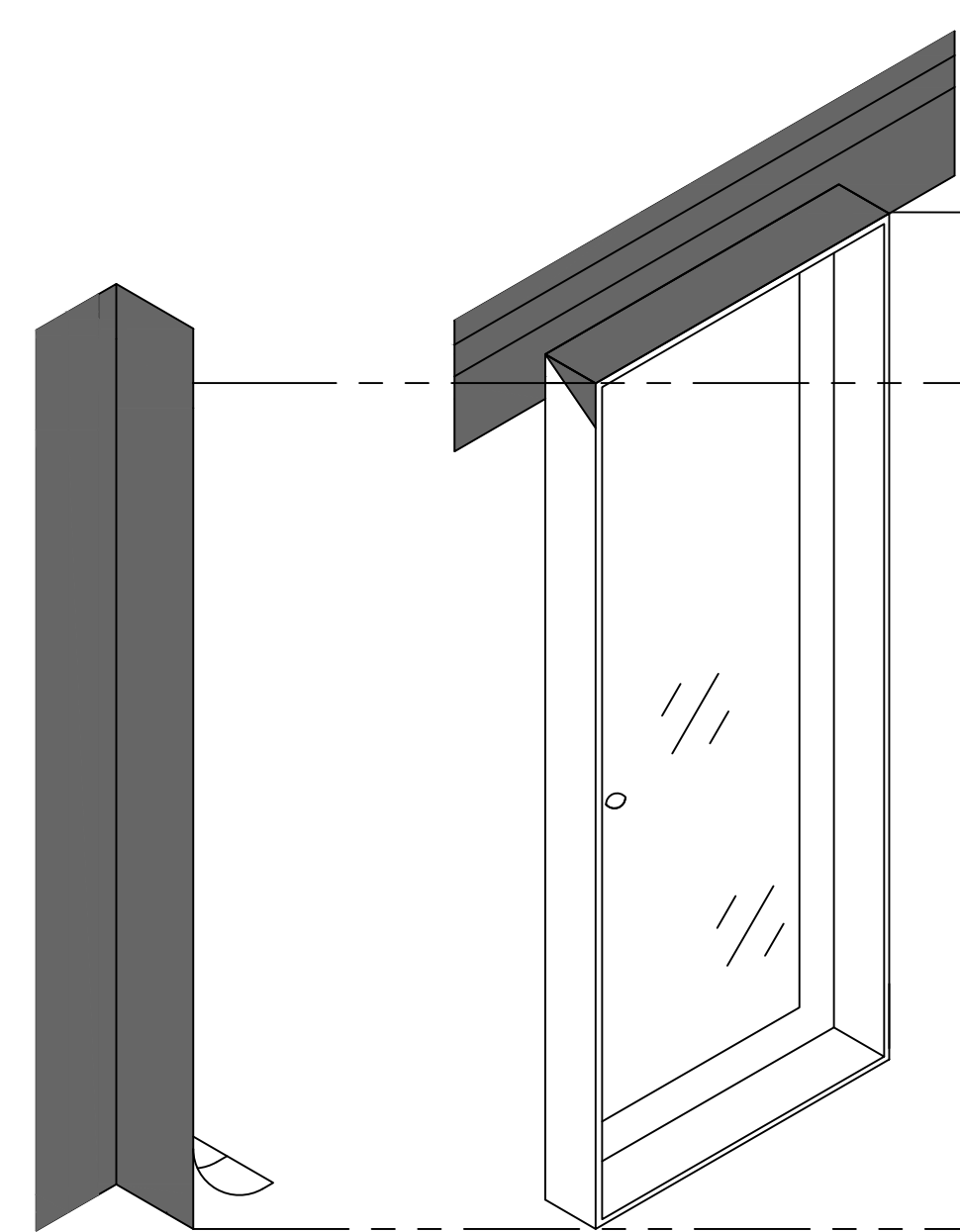
**STEP 6**

- A. BEGINNING AT THE JUNCTION OF THE JAMB AND HEAD, CUT THE DUPONT™ STRAIGHTFLASH™ VF ALONG THE CORNERS 45 DEGREE ANGLE AND FOLD IT OVER FLAT TO ADHERE IT AGAINST THE HEAD FLASHING.
- B. FOLD NEWLY CREATED FLAP PARALLEL TO THE DOOR FRAME.
- C. FOLD FLASHING FLAPS TO THE DOOR FRAME AND ADHERE.
- D. REPEAT ON OPPOSITE JAMB.



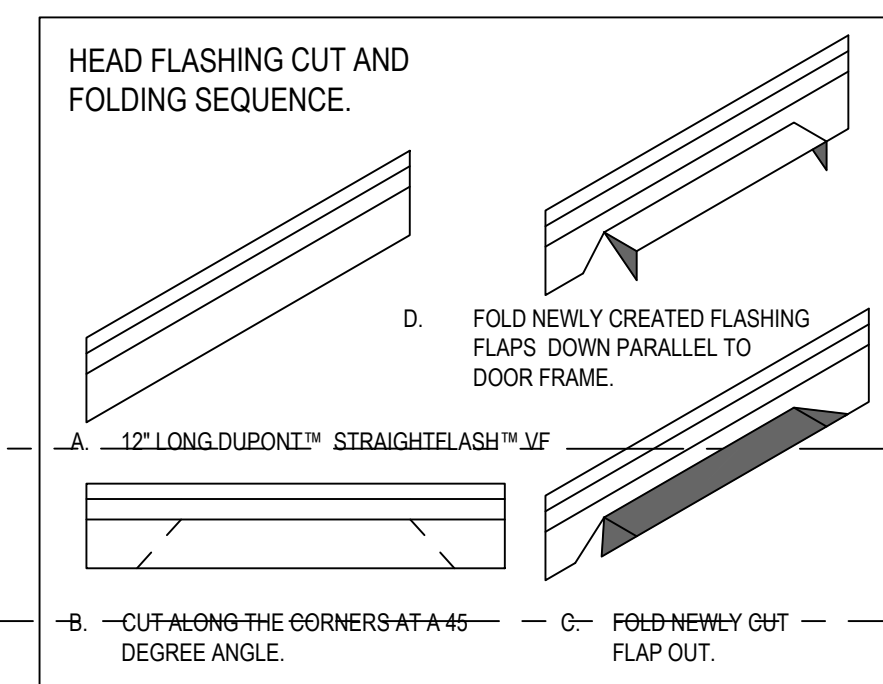
**STEP 5**

- A. POSITION DUPONT™ STRAIGHTFLASH™ VF SO THAT IT CONTACTS THE DOOR FRAME UP TO THE EXTERIOR FACE OF THE DOOR. ENSURE THAT THE JAMB FLASHING IS POSITIONED 1-1/2" BELOW TOP OF HEAD FLASHING. JAMB FLASHING ADHESIVE MUST COME INTO CONTACT WITH HEAD FLASHING ADHESIVE AND OVERLAP BY 1".
- B. REPEAT ON OPPOSITE JAMB.

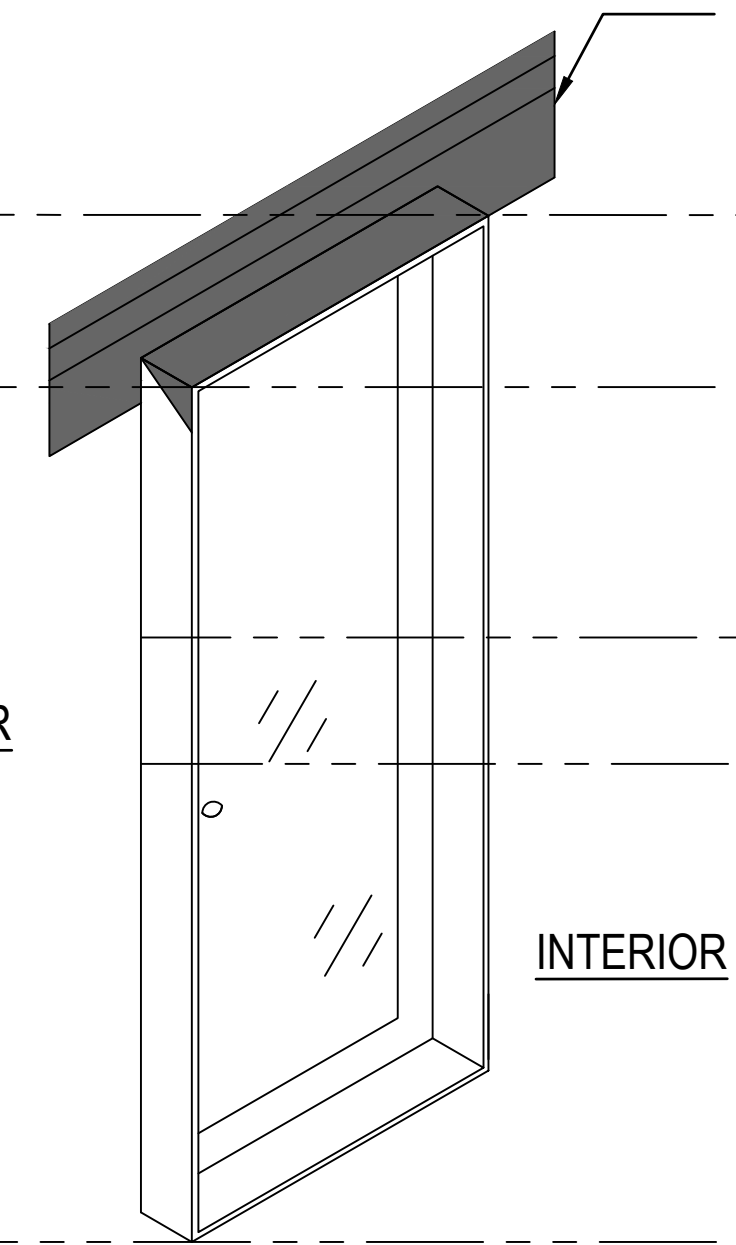


**STEP 4**

- A. PREPARE JAMB FLASHING BY CUTTING A PIECE OF DUPONT™ STRAIGHTFLASH™ VF AT LEAST 6" LONGER THAN JAMB HEIGHT.
- B. REMOVE THE RELEASE PAPER FROM ONE SIDE OF DUPONT™ STRAIGHTFLASH™ VF



EXTERIOR



**STEP 3**

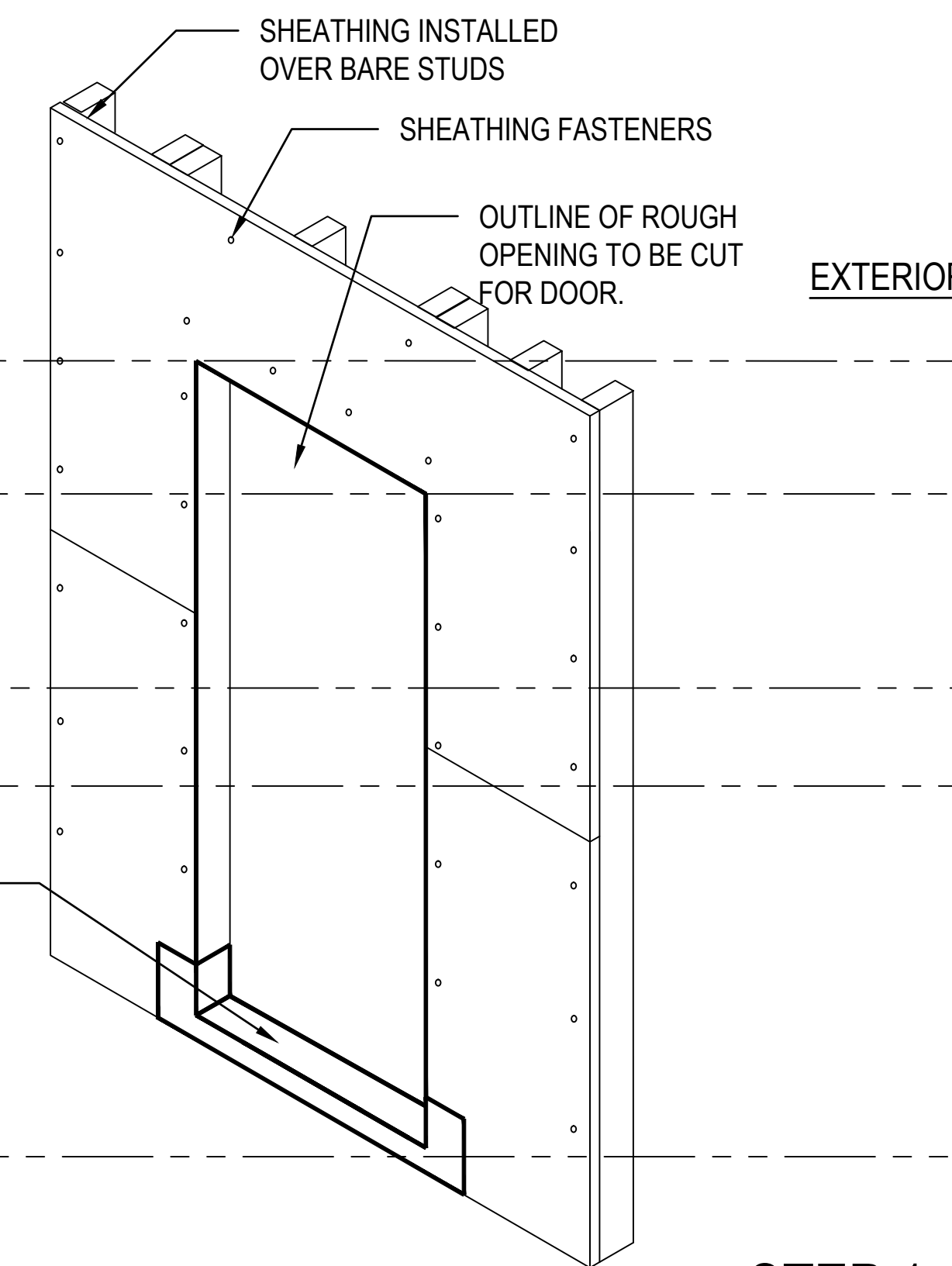
- A. PREPARE HEAD FLASHING BY CUTTING A PIECE OF DUPONT™ STRAIGHTFLASH™ VF AT LEAST 12" LONGER THAN THE HEAD LENGTH.
- B. REMOVE THE RELEASE PAPER FROM ONE SIDE OF DUPONT™ STRAIGHTFLASH™ VF.
- C. CENTER THE DUPONT™ STRAIGHTFLASH™ VF ALONG THE LENGTH OF THE DOOR AND POSITION SO THAT IT CONTACTS THE DOOR FRAME.
- D. BEGINNING AT THE JUNCTION OF THE JAMB AND HEAD AWAY FROM THE CORNERS CUT THE DUPONT™ STRAIGHTFLASH™ VF ALONG THE CORNER AT A 45 DEGREE ANGLE.
- E. FOLD THE NEWLY CREATED FLASHING FLAPS DOWN PARALLEL TO THE DOOR FRAME.
- F. FOLD THE REMAINING HEAD FLASHING ONTO THE JAMB.

INTERIOR

**STEP 2**

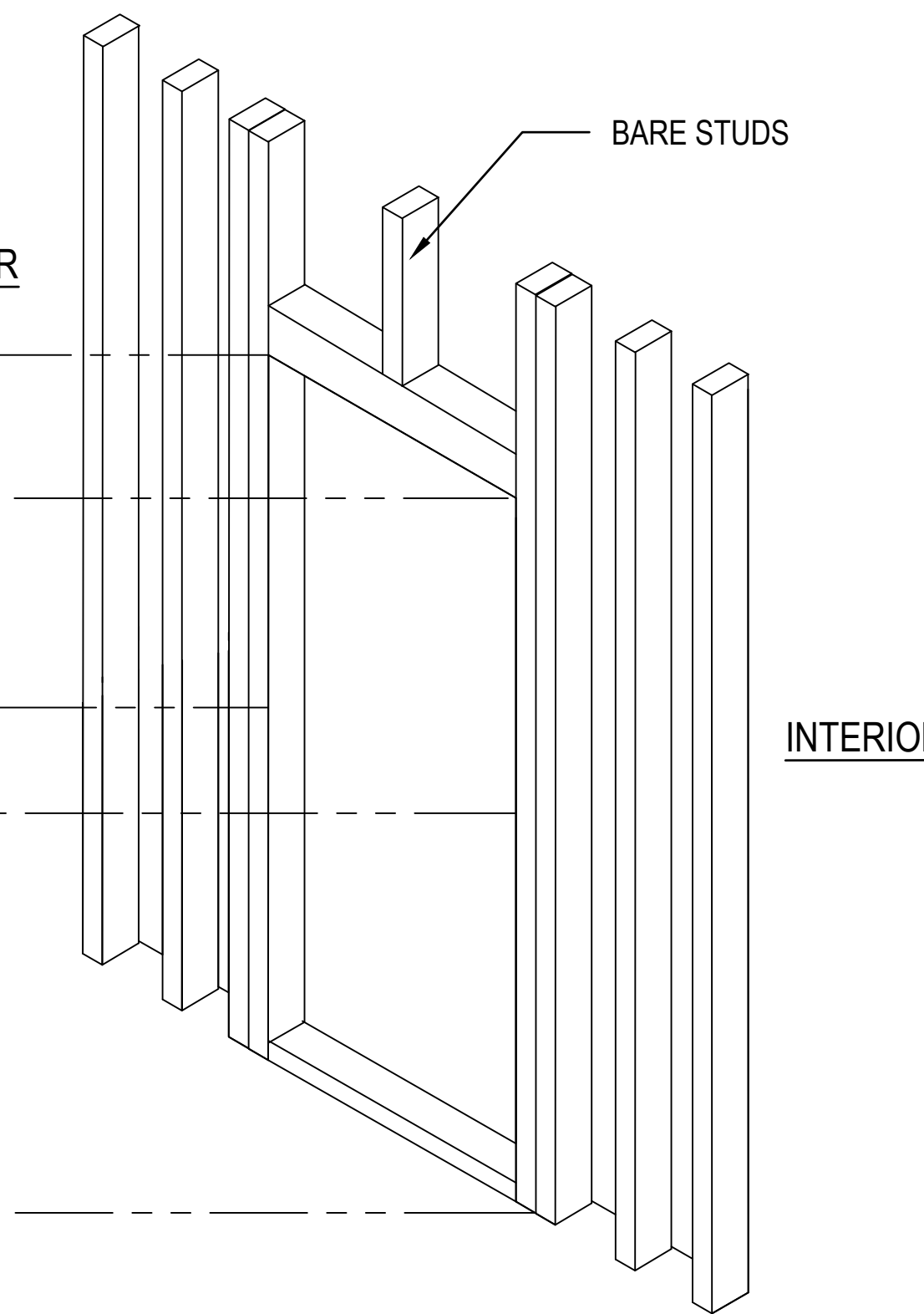
- A. INSTALL SILL PAN (SILL PAN PROVIDED BY OTHERS).

SILL PAN PROVIDED BY OTHERS (INSTALL DUPONT™ FLEXWRAP™ NF BEFORE SILL PAN AT CONCRETE CONDITION FOR SEPARATION)



**STEP 1**

- A. BARE STUDS PRIOR TO SHEATHING INSTALLATION.



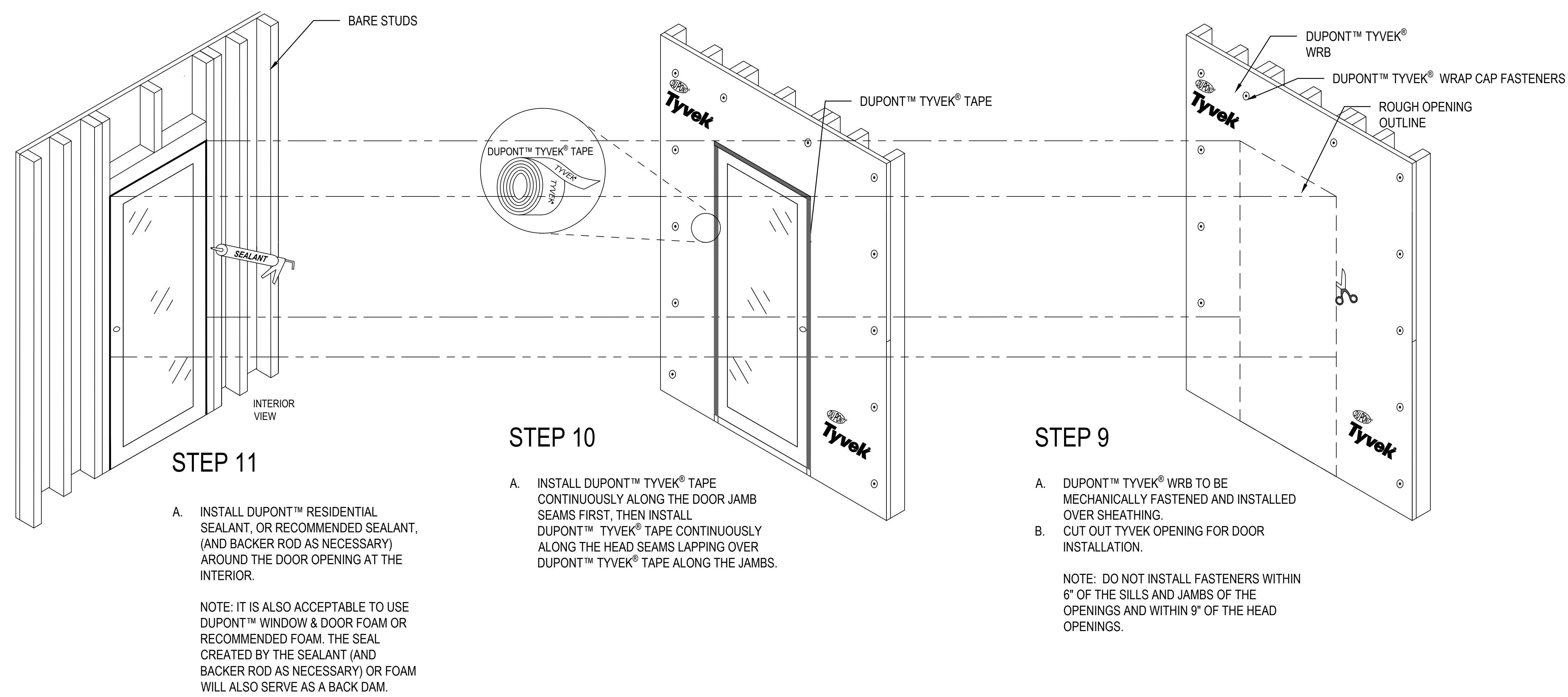
NOTE: FOR ADDITIONAL INFORMATION REGARDING PRODUCT INSTALLATION AND/OR FABRICATION INSTRUCTIONS FOR RECESSED WINDOW CORNERS, REFER TO THE APPLICABLE DUPONT™ SELF-ADHERED FLASHING SYSTEMS PRODUCTS INSTALLATION GUIDELINE.

Non Flanged Door Before WRB Installation Sequence

DRAWING:  
R-OP-3220-MA, Page 1 of 2

REVISION DATE:  
11/11/2016  
SCALE: Not to Scale





**STEP 11**

- A. INSTALL DUPONT™ RESIDENTIAL SEALANT, OR RECOMMENDED SEALANT, (AND BACKER ROD AS NECESSARY) AROUND THE DOOR OPENING AT THE INTERIOR.

NOTE: IT IS ALSO ACCEPTABLE TO USE DUPONT™ WINDOW & DOOR FOAM OR RECOMMENDED FOAM. THE SEAL CREATED BY THE SEALANT (AND BACKER ROD AS NECESSARY) OR FOAM WILL ALSO SERVE AS A BACK DAM.

**STEP 10**

- A. INSTALL DUPONT™ TYVEK® TAPE CONTINUOUSLY ALONG THE DOOR JAMB SEAMS FIRST, THEN INSTALL DUPONT™ TYVEK® TAPE CONTINUOUSLY ALONG THE HEAD SEAMS LAPPING OVER DUPONT™ TYVEK® TAPE ALONG THE JAMBS.

**STEP 9**

- A. DUPONT™ TYVEK® WRB TO BE MECHANICALLY FASTENED AND INSTALLED OVER SHEATHING.  
 B. CUT OUT TYVEK OPENING FOR DOOR INSTALLATION.

NOTE: DO NOT INSTALL FASTENERS WITHIN 6" OF THE SILLS AND JAMBS OF THE OPENINGS AND WITHIN 9" OF THE HEAD OPENINGS.

Non Flanged Door Before WRB Installation Sequence

**DRAWING:**  
 R-OP-3220-MA, Page 2 of 2

REVISION DATE:  
 11/11/2016  
 SCALE: Not to Scale

NOTE: FOR ADDITIONAL INFORMATION REGARDING PRODUCT INSTALLATION AND/OR FABRICATION INSTRUCTIONS FOR RECESSED WINDOW CORNERS, REFER TO THE APPLICABLE DUPONT™ SELF-ADHERED FLASHING SYSTEMS PRODUCTS INSTALLATION GUIDELINE.

