



Dow Building Solutions

WEATHERMATE™ Sill Pan

Installation Recommendations

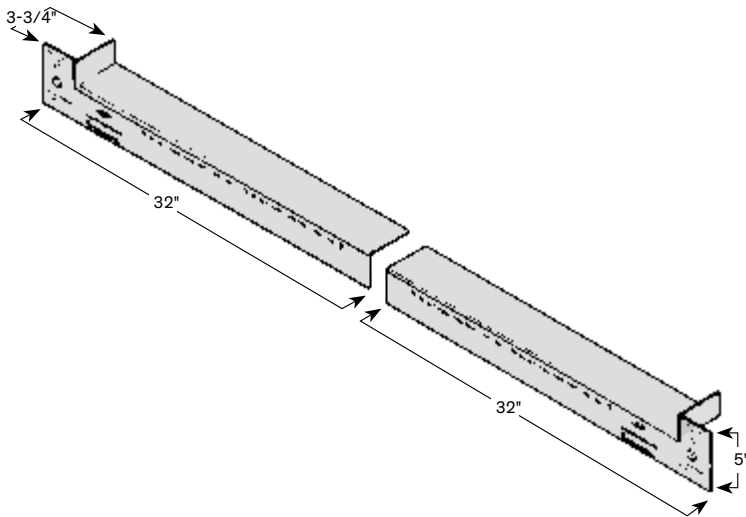


Table 1: Features and Benefits of WEATHERMATE™ Sill Pan

| Feature | Benefit |
|--|---|
| Molded polymer | <ul style="list-style-type: none"> • Manufactured to ensure a consistent thickness • Conforms to window openings • Assists positive drainage of water to the exterior • Will not rust or rot • Compatible with standard adhesives and sealants |
| Two-piece design | <ul style="list-style-type: none"> • Adjustable to fit most windowsill widths |
| Compatible with WEATHERMATE™ Straight and Flexible Flashings | <ul style="list-style-type: none"> • WEATHERMATE™ Straight and Flexible Flashings at center seam and on sides help ensure protection against leaks |

WEATHERMATE™ Sill Pan is a translucent, molded polymer sill pan for flashing the base of windows. The innovative two-piece construction can be adjusted to fit most window sill widths, providing a continuous shield against water infiltration, even in sill corners. For features and benefits of WEATHERMATE™ Sill Pan, refer to Table 1.

PROPERTIES

WEATHERMATE™ Sill Pan is sold as a two-piece assembly that includes a right-corner piece and a left-corner piece. The integrated corner design provides another layer of protection against water intrusion. And the two pieces facilitate easy adjustment to fit most window sill widths. WEATHERMATE™ Sill Pan works best when the window sill is sloped to the exterior. Shims, if necessary, should be placed underneath WEATHERMATE™ Sill Pan.

DIMENSIONS

5" h x 3-3/4" d x 32" w (13 cm h x 9.5 cm d x 81 cm w) (each piece).

INSTALLATION INSTRUCTIONS

WEATHERMATE™ Sill Pan is easy to install.

1. Position one piece of WEATHERMATE™ Sill Pan along the base of window rough opening, lapping over water-resistive barrier (Figure 1).

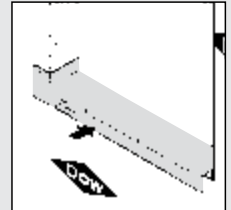


FIGURE 1

2. Press firmly against corner of window opening. Nail or staple in place, following embossed instructions on product (Figure 2).

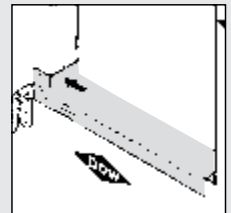


FIGURE 2

3. Position second piece, overlapping first piece by a minimum of 2" (51 mm). Press second piece firmly into corner of window opening. Nail or staple in place, following embossed instructions on product (Figure 3).

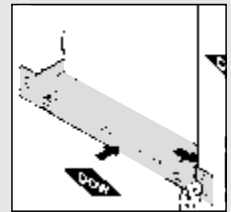


FIGURE 3

For window openings wider than 5' (1.5 m), install WEATHERMATE™ Sill Pan in corners, then cut the corner off a third piece. Center this straight length over the two corner pieces, overlapping each side a minimum of 2" (51 mm).

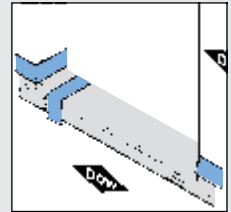


FIGURE 4

4. Seal overlap seam and top edge of corner pieces with WEATHERMATE™ Straight and Flexible Flashings (Figure 4).

5. Install and flash window according to manufacturer instructions.



FIGURE 5

6. Air seal windows around entire interior perimeter with GREAT STUFF PRO™ Window & Door Insulating Foam Sealant (Figure 5).*

*Consult the label and (Material) Safety Data Sheet ((M)SDS) carefully before use.

GREAT STUFF PRO™ Window & Door Insulating Foam Sealant features a minimal-expanding, pliable formulation that won't deform windows and doors, when applied properly.



In the United States
Dow Chemical Canada
Dow Building Solutions
200 Larkin Center
Midland, MI 48674

In Canada
Dow Chemical Canada ULC
Dow Building Solutions
215 – 2 Street S.W.,
Suite 2400
Calgary, Alberta T2P 1M4

For Technical Information: **dowbuildingsolutions.com**
1-866-583-BLUE

For Sales Information:
1-800-232-2436

NOTICE: No freedom from any patent owned by Dow or others is to be inferred. Because use conditions and applicable laws may differ from one location to another and may change with time, Customer is responsible for determining whether products and the information in this document are appropriate for Customer's use and for ensuring that Customer's workplace and disposal practices are in compliance with applicable laws and other government enactments. The product shown in this literature may not be available for sale and/or available in all geographies where Dow is represented. The claims made may not have been approved for use in all countries or regions. Dow assumes no obligation or liability for the information in this document. References to "Dow" or the "Company" mean the Dow legal entity selling the products to Customer unless otherwise expressly noted. NO EXPRESS WARRANTIES ARE GIVEN EXCEPT FOR ANY APPLICABLE WRITTEN WARRANTIES SPECIFICALLY PROVIDED BY DOW. ALL IMPLIED WARRANTIES INCLUDING THOSE OF MERCHANTABILITY AND FITNESS FOR A PARTICULAR PURPOSE ARE EXPRESSLY EXCLUDED. The buyer assumes all risks as to the use of the material. Buyer's exclusive remedy or any claim (including without limitations, negligence, strict liability, or tort) shall be limited to the refund of the purchase price of the material. Failure to strictly adhere to any recommended procedures shall release The Dow Chemical Company, and its subsidiaries, of all liability with respect to the materials or the use thereof. The information herein is not intended for use by non-professional designers, applicators or other persons who do not purchase or utilize this product in the normal course of their business.

WEATHERMATE™ housewraps are a secondary defense against bulk water intrusion. The exterior finish is the primary water barrier.

WEATHERMATE™ Sill Pan works best when the sill is sloped to the exterior.

Dow Polyurethane Foam Insulation and Sealants

CAUTION: When cured, these products are combustible and will burn if exposed to open flame or sparks from high-energy sources. Do not expose to temperatures above 240°F (116°C). For more information, consult (Material) Safety Data Sheet ((M)SDS), call Dow at 1-866-583-BLUE (2583) or contact your local building inspector. In an emergency, call 1-989-636-4400 in the U.S. or 1-519-339-3711 in Canada. When air sealing buildings, ensure that combustion appliances, such as furnaces, water heaters, wood burning stoves, gas stoves and gas dryers are properly vented to the outside. See website: <http://www.epa.gov/iaq/homes/hip-ventilation.html>. In Canada visit <http://archive.nrc-cnrc.gc.ca/eng/ibp/irc/bsi/83-house-ventilation.html>.

GREAT STUFF PRO™ Insulating Foam sealant and adhesive products contain isocyanate and a flammable blowing agent. Read all instructions and (Material) Safety Data Sheet ((M)SDS), carefully before use. Eliminate all sources of ignition before use. Cover all skin. Wear long sleeves, gloves, and safety glasses or goggles. Not for use in aviation, or food/beverage contact, or as structural support in marine applications. Provide adequate ventilation or wear proper respiratory protection. Contents under pressure. Not to be used for filling closed cavities or voids such as behind walls and under tub surrounds; this improper use of the product could result in the accumulation of flammable vapors and/or uncured material. Failure to follow the warnings and instructions provided with the product, and/or all applicable rules and regulations, can result in injury or death.

GREAT STUFF PRO™ Gun Cleaner is flammable and contains acetone and propane. Read all instructions and (Material) Safety Data Sheet ((M)SDS) carefully before use. Eliminate all sources of ignition before use. Cover all skin. Wear gloves, and goggles or safety glasses. Provide adequate ventilation or wear proper respiratory protection. Contents under pressure.

Building and/or construction practices unrelated to building materials could greatly affect moisture and the potential for mold formation. No material supplier including Dow can give assurance that mold will not develop in any specific system.

®™ Trademark of The Dow Chemical Company ("Dow") or an affiliated company of Dow.

Printed in the USA
Form No. 179-07304-0117 CDP
178-07012-0117 CDP