



DOW IntegraPac™ Ultrafiltration Skid for Potable Use With IPD-51

The DOW IntegraPac™ skid for potable use with IPD-51 modules from Dow Water & Process Solutions is a pre-engineered, standardized skid design consisting of DOW IntegraPac™ Ultrafiltration modules, auxiliary parts and piping. It is designed to significantly streamline design, assembly and installation, making possible lower skid costs, reduced engineering design costs, easy assembly, smaller footprint and shortened delivery schedule. Features include:



- Skid tested and certified by NSF International under NSF/ANSI Standard 61 ensuring safe use in drinking water applications.
- No ancillary piping, manifolds and connections due to direct coupling of modules, saving cost and reducing footprint.
- Modular and scalable for design across a wide range of flow rates
- Materials of construction selected for corrosion resistance and chemical compatibility
- Shipped unassembled to lower transportation cost for the customer and help prevent damage in transit
- Standardized and pre-fabricated components and parts eliminate measuring, cutting, gluing and welding
- Easily accessible for physical inspection or replacement at end of life
- Operator-friendly transparent filtrate elbow designed and located for easy visual integrity inspection
- High pressure rating to enable direct feed to reverse osmosis feed pumps

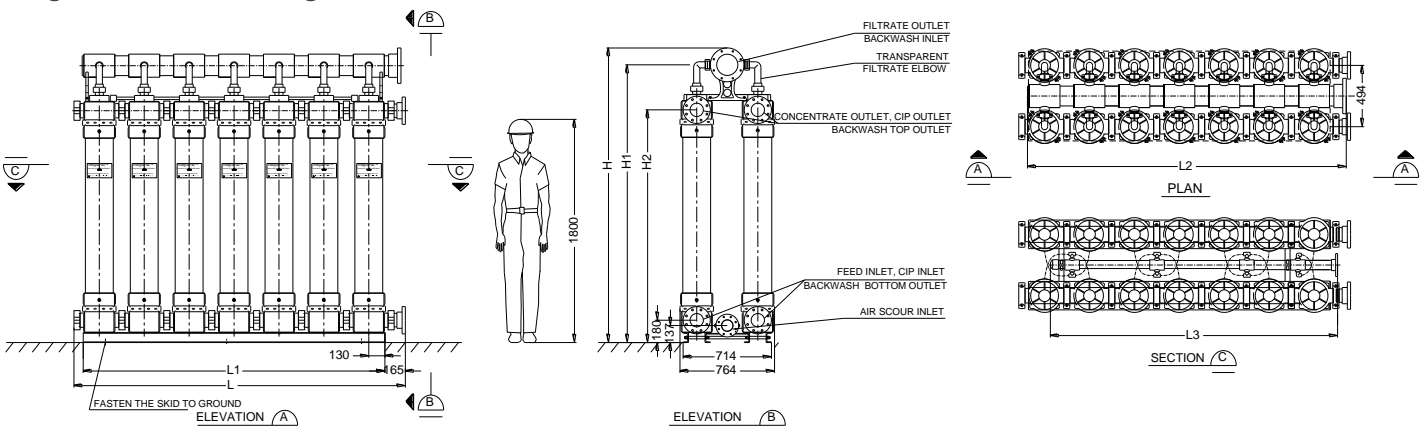


Certified to
NSF/ANSI 61

Skid Configurations with IPD-51 Modules

No. of Modules	IntegraPac™ Skid	Membrane Area		Flow @65 lmh (38 gfd)		Length (L)		Width		Height (H)		Weight, dry (incl. modules)		Weight, filled (incl. modules)		Hold-Up Volume	
		m ²	ft ²	m ³ /hr	gpm	mm	ft.	mm	ft.	mm	ft.	kg	lbs.	kg	lbs.	m ³	US gal
6	IPD-51-06	306	3294	20	88	1241	4.1	764	2.51	2375	7.79	418	922	738	1627	0.29	77.7
8	IPD-51-08	408	4392	27	117	1604	5.3	764	2.51	2375	7.79	540	1190	966	2130	0.39	103.6
10	IPD-51-10	510	5490	33	146	1967	6.5	764	2.51	2375	7.79	661	1457	1194	2632	0.49	129.4
12	IPD-51-12	612	6588	40	175	2330	7.6	764	2.51	2375	7.79	783	1726	1422	3135	0.59	155.3
14	IPD-51-14	714	7686	46	204	2693	8.8	764	2.51	2375	7.79	909	2004	1655	3649	0.69	181.2
16	IPD-51-16	816	8784	53	234	3056	10.0	764	2.51	2375	7.79	1041	2295	1893	4173	0.78	207.1
18	IPD-51-18	918	9882	60	263	3419	11.2	764	2.51	2375	7.79	1167	2573	2126	4687	0.88	233.0
20	IPD-51-20	1020	10980	66	292	3782	12.4	764	2.51	2375	7.79	1294	2853	2359	5201	0.98	258.9
22	IPD-51-22	1122	12078	73	321	4145	13.6	764	2.51	2375	7.79	1420	3131	2592	5714	1.08	284.8

Example: 2 x 7 IntegraPac IPD-51-14 Arrangement



Operating Parameters

	SI Units	US Units
Filtrate Flux @25°C	50 -115 l/m ² /hr	29-68 gfd
pH, Operating	2-11	2-11
pH, Cleaning	2-12	2-12
Temperature	1-40°C	34°-104°F
Max. Inlet Module Pressure (@20°C)	6.25 bar	93.75 psi
Max. Operating TMP	2.1 bar	30 psi
Max. Operating Air Scour Flow	12 Nm ³ /hr	7.1 scfm
Max. Backwash Pressure	2.5 bar	36 psi
NaOCl (max)	2,000 mg/L	
TSS (max)	100 mg/L	
Turbidity (max)	300 NTU	
Particle Size (max)	300 µm	
Flow Configuration	Outside-in	
Expected Filtrate Turbidity	≤0.1 NTU	
Expected Filtrate SDI	≤2.5	

Important Information

Proper start-up of an ultrafiltration system is essential to prepare the membranes for operating service and to help prevent membrane damage. Following the proper start-up sequence also helps ensure that system operating parameters conform to design specifications so that system water quality and productivity goals can be achieved. Before initiating system start-up procedures, membrane pretreatment, installation of the DOW IntegraPac™ skid, instrument calibration and other system checks should be completed. Please refer to the product technical manual.

Operational Guidelines

Avoid any abrupt pressure variations during start-up, shutdown, cleaning or other sequences to prevent possible membrane damage. Flush the DOW IntegraPac™ ultrafiltration system to remove storage solution prior to start-up. Remove residual air from the system prior to start-up. Manually start the equipment. Target a permeate flow of 60% of design during initial operations. Depending on the application, filtrate obtained from initial operations should be discarded. Please refer to the product technical manual.

General Information

If operating limits and guidelines given in this bulletin are not strictly followed, the limited warranty will be null and void. Refer to Dow Ultrafiltration Module Limited Warranty for more detail.

To prevent biological growth during extended system shutdowns, it is recommended that storage solution be injected into the membrane modules. Please refer to the product technical manual.

Regulatory Note

NSF/ANSI 61 certified drinking water skids with IPD-51 modules require specific conditioning procedures prior to producing potable water. Please refer to the product technical manual flushing section for specific procedures. Drinking water skids may be subjected to additional regulatory restrictions in some countries. Please check local regulatory guidelines and application status before use and sales.

For more information about DOW IntegraPac™ skids, call the Dow Water & Process Solutions business:

North America: 1-800-447-4369
Latin America: +55 11-5188-9222
Europe: 800-3-694-6367
Italy: 800-783-825

South Africa: 0800 99 5078
Pacific: +800 7776-7776
China: +400 889-0789

Or visit our website at www.dowwaterandprocess.com/integrpac

Warning: The use of this product does not necessarily guarantee the removal of cysts and pathogens from water. Effective cyst and pathogen reduction is dependent on the complete system design and on the operation and maintenance of the system.

NOTICE: No freedom from infringement of any patent owned by Dow or others is to be inferred. Because use conditions and applicable laws may differ from one location to another and may change with time, Customer is responsible for determining whether products and the information in this document are appropriate for Customer's use and for ensuring that Customer's workplace and disposal practices are in compliance with applicable laws and other government enactments. The product shown in this literature may not be available for sale and/or available in all geographies where Dow is represented. The claims made may not have been approved for use in all countries. Dow assumes no obligation or liability for the information in this document. References to "Dow" or the "Company" mean the Dow legal entity selling the products to Customer unless otherwise expressly noted. NO WARRANTIES ARE GIVEN EXCEPT FOR ANY LIMITED WARRANTIES SET FORTH HEREIN; ALL IMPLIED WARRANTIES OF MERCHANTABILITY OR FITNESS FOR A PARTICULAR PURPOSE ARE EXPRESSLY EXCLUDED.

