

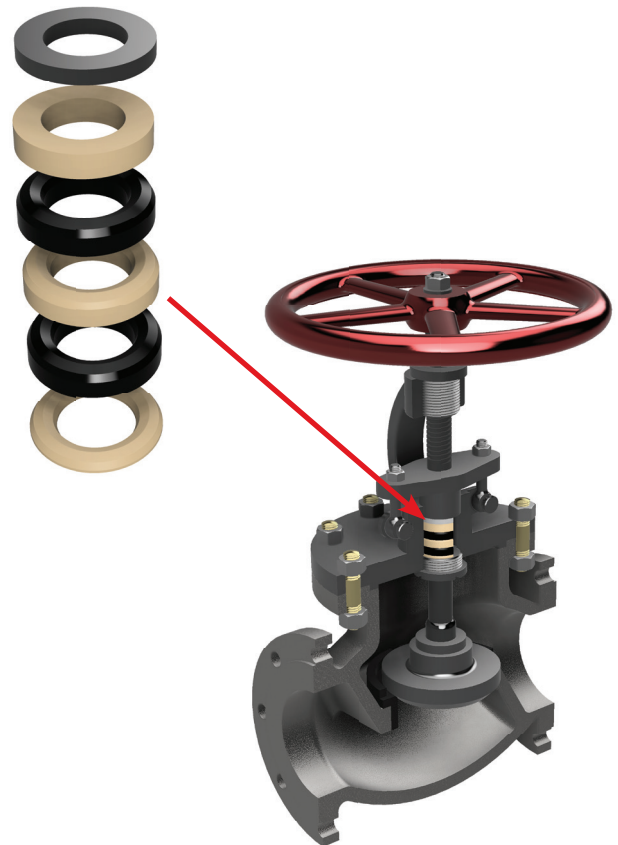
DuPont™ Kalrez® Valve Stem Packing (KVSP™) Valve sealing in chemical plants

Insufficient sealing of valve glands can be a large contributor to fugitive emissions, making this one of the most challenging objectives facing chemical plants today. In order to prevent environmental or safety hazards, control valve gland seals must be extremely effective in preventing leakage. Kalrez® KVSP™ valve stem packing, is a product offering designed to meet this challenge and reduce unwanted emissions.

- **Chemicals:** 60% pentane / 40% butane, hexane, acetone and acidic water
- **Process conditions:** -30 °C
~4.5 MPa
- **Incumbent solution:** Competitive PTFE packings
- **Incumbent performance:** Failure leading to leakage, damage to the control valve parts and unscheduled reactor shutdowns

Kalrez® Valve Stem Packing (KVSP™) performance:

- Kalrez® KVSP™ outperformed the incumbent solution and resulted in no identifiable gland leaks.
- In one case, replacing all control valve stem seals on reactors with KVSP™ allowed for annual savings of \$68,000 per reactor unit!



Visit us at kalrez.com

The information set forth herein is furnished free of charge, is based on technical data that DuPont believes to be reliable and represents typical values that fall within the normal range of properties. This information relates only to the specific material designated and may not be valid for such material used in combination with other materials or in other processes. It is intended for use by persons having technical skill, at their own discretion and risk. This information should not be used to establish specification limits nor used alone as the basis of design. Handling precaution information is given with the understanding that those using it will satisfy themselves that their conditions of use present no health or safety hazards and comply with applicable law. Since conditions of product use and disposal are outside our control, we make no warranties, express or implied, and assume no liability in connection with any use of this information. As with any product, evaluation under end use conditions prior to specification is essential. Nothing herein is to be taken as a license to operate or a recommendation to infringe on patents.

CAUTION: Do not use DuPont materials in medical applications involving implantation in the human body or contact with internal body fluids or tissues unless the material has been provided from DuPont under a written contract that is consistent with the DuPont policy regarding medical applications and expressly acknowledges the contemplated use. For further information, please contact your DuPont representative.

DuPont's sole warranty is that our products will meet our standard sales specifications in effect at the time of shipment. Your exclusive remedy for breach of such warranty is limited to refund of purchase price or replacement of any product shown to be other than as warranted. TO THE FULLEST EXTENT PERMITTED BY APPLICABLE LAW, DUPONT SPECIFICALLY DISCLAIMS ANY OTHER EXPRESS OR IMPLIED WARRANTY OF FITNESS FOR A PARTICULAR PURPOSE, MERCHANTABILITY, OR NON-INFRINGEMENT. DUPONT DISCLAIMS LIABILITY FOR ANY SPECIAL, INCIDENTAL, OR CONSEQUENTIAL DAMAGES.

DuPont™, the DuPont Oval Logo, and all trademarks and service marks denoted with ™, SM or © are owned by affiliates of DuPont de Nemours, Inc. unless otherwise noted. © 2022 DuPont. All rights reserved.

(06/2022) Reference: KZE-A40120-00-0622