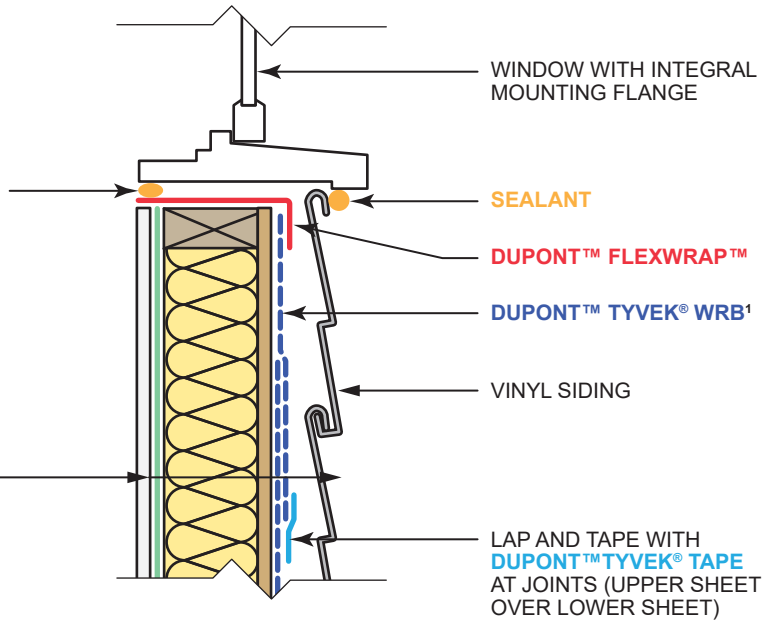
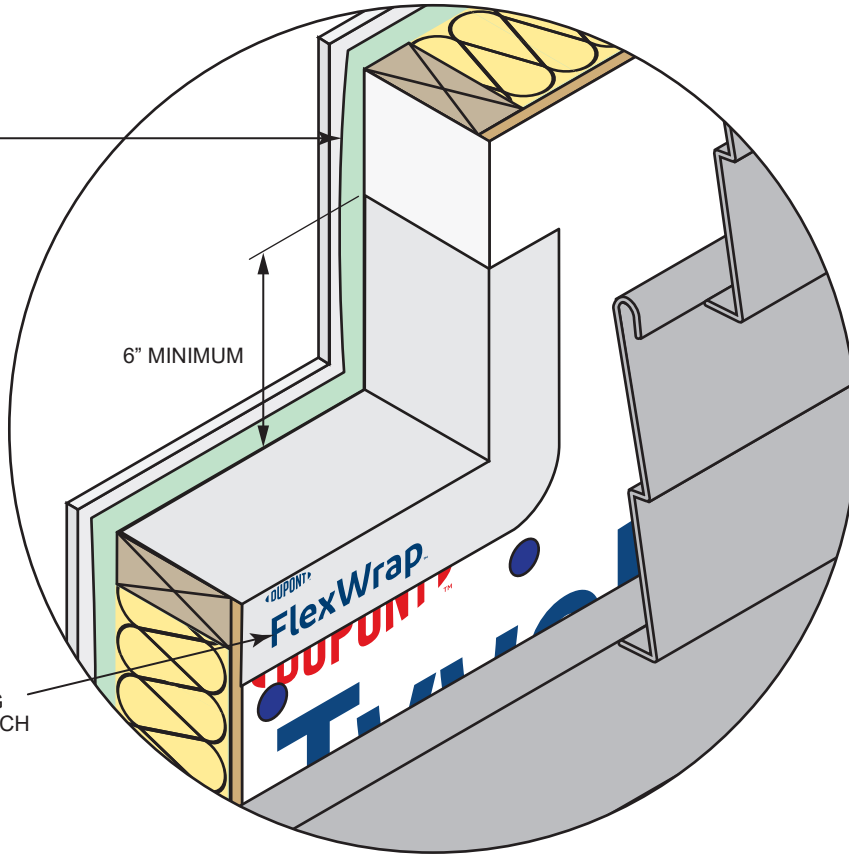


INSTALL TOWER® RESIDENTIAL SEALANT OR RECOMMENDED SEALANT (AND BACKER ROD AS NECESSARY) AROUND THE WINDOW OPENING AT THE INTERIOR. IT IS ALSO ACCEPTABLE TO USE GREAT STUFF PRO™ WINDOW & DOOR POLYURETHANE FOAM SEALANT, OR RECOMMENDED FOAM



**TYPICAL WALL ASSEMBLY**

- VINYL SIDING
- TYVEK® WRB¹
- OSB SHEATHING
- WOOD STUDS w/ BATT INSULATION
- VAPOR RETARDER²
- GYPSUM BOARD
- VAPOR RETARDER (WHERE REQUIRED)²



INSTALL **FLEXWRAP™** ALONG ENTIRE SILL AND UP 6" OF EACH JAMB OF ROUGH OPENING

¹REFER TO THE *FACADE CONSIDERATIONS* SECTION OF THE APPLICABLE DUPONT INSTALLATION GUIDELINES TO HELP DETERMINE THE APPROPRIATE TYVEK® WRB FOR THE CLADDING TYPE.

²USE OF INTERIOR VAPOR RETARDER IS DEPENDENT UPON CLIMATE ZONE AND LOCAL BUILDING CODES AND LAWS. CONSULT LOCAL JURISDICTION TO ENSURE APPROPRIATE USE OF VAPOR RETARDERS IN WALL ASSEMBLY.

**NOTES:**

- TAPE ALL TYVEK® WRB SEAMS WITH DUPONT™ TYVEK® TAPE.
- FLASH ALL PENETRATIONS WITH DUPONT SELF-ADHERED FLASHING PRODUCTS.
- FASTEN TYVEK® WRB TO SHEATHING WITH APPROVED FASTENERS AND CORRECT SPACING OF WRAP CAP STAPLES/NAILS (ex. DUPONT™ TYVEK® WRAP CAP FASTENERS).
- DO NOT APPLY TYVEK® TAPE OR DUPONT SELF-ADHERED FLASHING PRODUCTS OVER TYVEK® WRAP CAP FASTENERS, OR RECOMMENDED FASTENERS; HOWEVER, FASTENERS CAN BE INSTALLED OVER THE FLASHING.
- LOCAL LAWS, ZONING, AND BUILDING CODES VARY AND THEREFORE GOVERNS OVER MATERIAL SELECTION (ex. SHEATHING TYPE, FRAMING SIZE, INSULATION THICKNESS, ETC.) DETAILING SHOWN ABOVE.



SCALE: NOT TO SCALE

REVISION DATE: 8/15/2024

DRAWING: A36

**WINDOW SILL DETAIL**

RESIDENTIAL WOOD FRAME STRUCTURE w/ VINYL SIDING