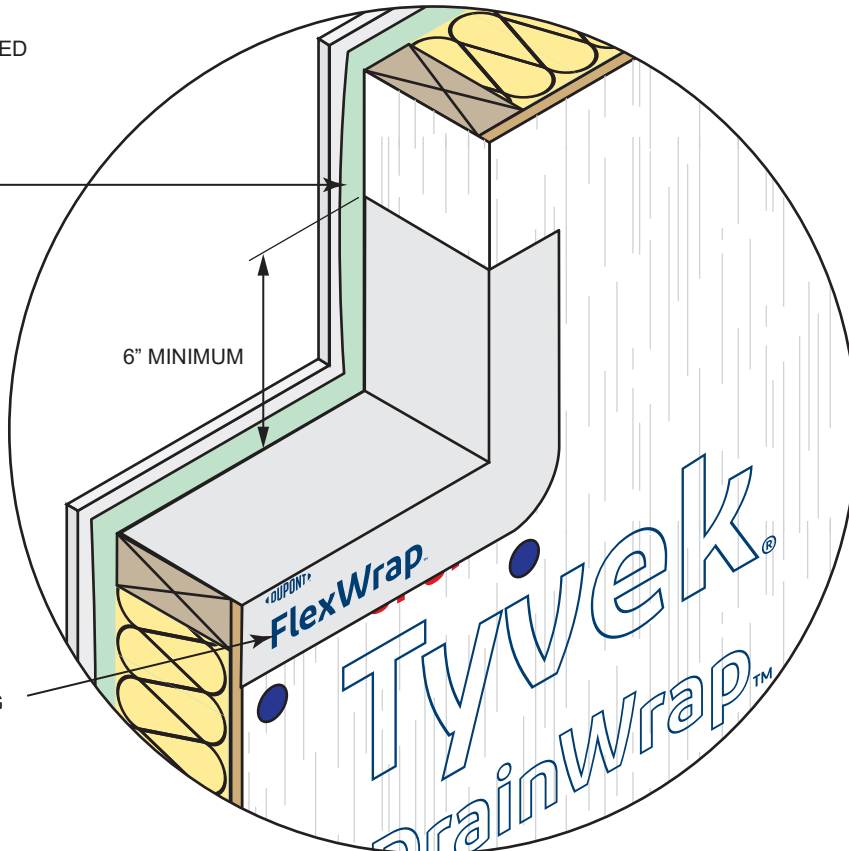


INSTALL TOWER® RESIDENTIAL SEALANT OR RECOMMENDED SEALANT (AND BACKER ROD AS NECESSARY) AROUND THE WINDOW OPENING AT THE INTERIOR. IT IS ALSO ACCEPTABLE TO USE GREAT STUFF PRO™ WINDOW & DOOR POLYURETHANE FOAM SEALANT, OR RECOMMENDED FOAM.

VAPOR RETARDER²

INSTALL **FLEXWRAP™** ALONG ENTIRE SILL AND UP 6" OF EACH JAMB OF ROUGH OPENING



¹REFER TO THE *FACADE CONSIDERATIONS* SECTION OF THE APPLICABLE DUPONT INSTALLATION GUIDELINES TO HELP DETERMINE THE APPROPRIATE **TYVEK® WRB** FOR THE CLADDING TYPE.

²USE OF INTERIOR VAPOR RETARDER IS DEPENDENT UPON CLIMATE ZONE AND LOCAL BUILDING CODES AND LAWS. CONSULT LOCAL JURISDICTION TO ENSURE APPROPRIATE USE OF VAPOR RETARDERS IN WALL ASSEMBLY.

NOTES:

- TAPE ALL **TYVEK® WRB** SEAMS WITH **DUPONT™ TYVEK® TAPE**.
- FLASH ALL PENETRATIONS WITH **DUPONT SELF-ADHERED FLASHING PRODUCTS**.
- FASTEN **TYVEK® WRB** TO SHEATHING WITH APPROVED FASTENERS AND CORRECT SPACING OF WRAP CAP STAPLES/NAILS (ex. **DUPONT™ TYVEK® WRAP CAP FASTENERS**).
- DO NOT APPLY **TYVEK® TAPE** OR **DUPONT SELF-ADHERED FLASHING PRODUCTS** OVER **TYVEK® WRAP CAP FASTENERS**, OR RECOMMENDED FASTENERS; HOWEVER, FASTENERS CAN BE INSTALLED OVER THE FLASHING.
- LOCAL LAWS, ZONING, AND BUILDING CODES VARY AND THEREFORE GOVERNS OVER MATERIAL SELECTION (ex. SHEATHING TYPE, FRAMING SIZE, INSULATION THICKNESS, ETC.) DETAILING SHOWN ABOVE.
- INSTALL EIFS ACCORDING TO MANUFACTURER'S WRITTEN INSTRUCTIONS

SCALE: NOT TO SCALE

REVISION DATE: 8/15/2024

DRAWING: A76

WINDOW SILL DETAIL

RESIDENTIAL WOOD FRAME STRUCTURE w/ EIFS CLADDING

