

DuPont™ Styrofoam™ Brand Ag Board Insulation

Installation Procedures

Description

For more than 50 years, DuPont™ Styrofoam™ Brand Ag Board Insulation extruded polystyrene insulation has helped agricultural building owners control the building's indoor environment and protect its contents, whether livestock, crops or equipment. In addition to its exceptional insulating value, Styrofoam™ Brand Ag Board resists moisture infiltration, withstands high-pressure cleaning and reduces the potential for moisture condensation within the wall.

The easy-to-install Styrofoam™ Brand Ag Board uses shiplapped edges to create a secure joint that does not require taping, saving considerable installation time.

Equipment Guidelines

To install Styrofoam™ Brand Ag Board, you will need:

- Utility knife or small handsaw
- Safety glasses
- Straight edge
- Measuring tape
- Pencil
- Fasteners and poly washers (such as Quik Cap Washer-Plastic Round or Buildex Multi-Diameter Insulation Tekes)
- Polystyrene-compatible polyurethane spray foam sealant, such as DuPont™ Great Stuff Pro™ Gaps & Cracks Polyurethane Foam Sealant
- Styrofoam™ Brand All-Purpose Tape (Optional)
- Squeegee or soft paint roller (Optional)

Installation Procedure

1. There are two ways to cut Styrofoam™ Brand Ag Board Insulation. One way is to use a straight edge and a utility knife or handsaw. Or, use a knife to score the Styrofoam™ Brand Ag Board. Then break the board over the edge of a table or sawhorse.
2. Attach Styrofoam™ Brand Ag Board perpendicular to framing, spanning at least three framing members with insulation board joints breaking over framing or meeting the roof edge. Penetrate separate wood and metal framing 1" with a corrosion-resistant fastener and poly washer, such as QUIK Cap. When fastening to metal, Buildex Multi-Diameter Insulation Tekes or equivalent (with minimum 1-1/4" poly washers) are advised.

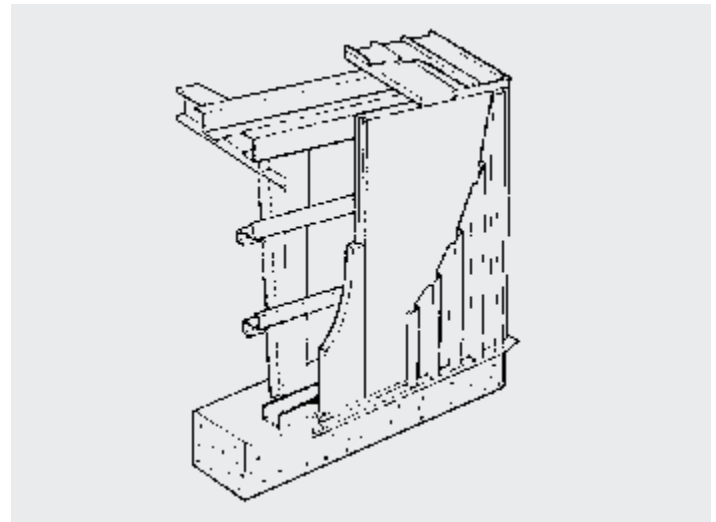


Figure 1.

3. Lock the shiplapped edges together.

4. For maximum protection against moisture and air infiltration, seal the board end joints with Styrofoam™ Brand All-Purpose Tape. Use a squeegee or soft paint roller to press the tape firmly to the joint. Cut tape with a knife or scissors. Do not tear tape.

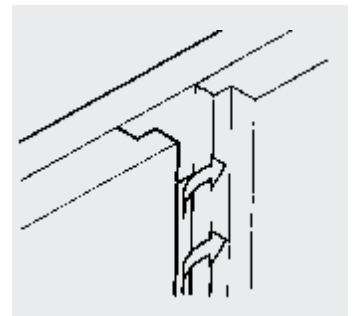


Figure 2.

End-joint gaps that are greater than 1/8" should be filled with spray foam such as Great Stuff Pro™ Gaps & Cracks or equivalent to keep a continuous air infiltration barrier and to help ensure maximum thermal efficiency across the board joints. To increase the moisture effectiveness of the board joints, apply Styrofoam™ Brand All-Purpose Tape over the sprayed board joints.

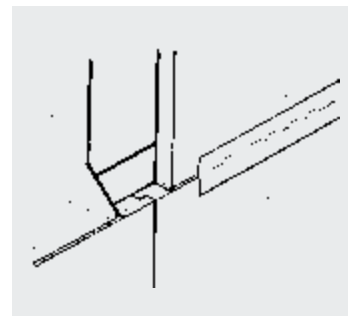


Figure 3.



**For more information visit us at
styrofoam.com
or call 1-866-583-2583**

NOTICE: No freedom from any patent owned by DuPont or others is to be inferred. Because use conditions and applicable laws may differ from one location to another and may change with time, Customer is responsible for determining whether products and the information in this document are appropriate for Customer's use and for ensuring that Customer's workplace and disposal practices are in compliance with applicable laws and other government enactments. The product shown in this literature may not be available for sale and/or available in all geographies where DuPont is represented. The claims made may not have been approved for use in all countries or regions. DuPont assumes no obligation or liability for the information in this document. References to "DuPont" or the "Company" mean the DuPont legal entity selling the products to Customer unless otherwise expressly noted. NO EXPRESS WARRANTIES ARE GIVEN EXCEPT FOR ANY APPLICABLE WRITTEN WARRANTIES SPECIFICALLY PROVIDED BY DUPONT. ALL IMPLIED WARRANTIES INCLUDING THOSE OF MERCHANTABILITY AND FITNESS FOR A PARTICULAR PURPOSE ARE EXPRESSLY EXCLUDED. The buyer assumes all risks as to the use of the material. Buyer's exclusive remedy or any claim (including without limitations, negligence, strict liability, or tort) shall be limited to the refund of the purchase price of the material. Failure to strictly adhere to any recommended procedures shall release DuPont Specialty Products USA, LLC or its affiliates, of all liability with respect to the materials or the use thereof. The information herein is not intended for use by non-professional designers, applicators or other persons who do not purchase or utilize this product in the normal course of their business.

CAUTION: This product is combustible. Protect from high heat sources. A protective barrier or thermal barrier may be required as specified in the appropriate building code. For more information call the DuPont Contact Center at 866-583-2583 or contact your local building inspector. For emergencies contact Chemtrec 800-424-9300, CCN (Contract Number) 7442.

WARNING: Rigid foam insulation does not constitute a working walkable surface or qualify as a fall protection product.

DuPont™, the DuPont Oval Logo, and all trademarks and service marks denoted with ™, SM or ® are owned by affiliates of DuPont de Nemours, Inc. unless otherwise noted. © 2023 DuPont.

43-D100137-enUS-0523 CDP