

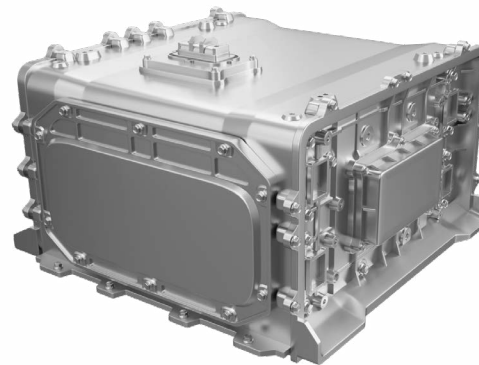
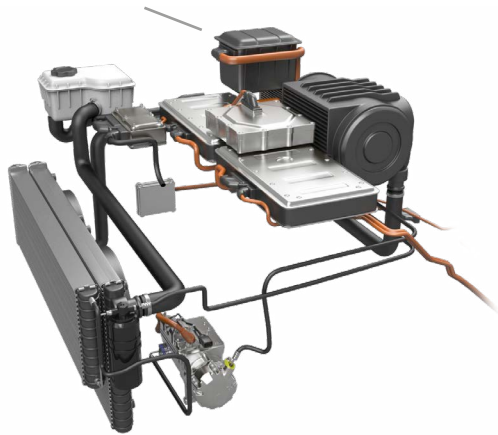
DuPont material solutions for Fuel Cell Systems offer:

High stiffness, Low ion leaching, High dimensional stability, and High CTI

Air Management System

Zytel® PA, Zytel® HTN PPA, Crastin® PBT, Hytrel® TPC-ET, Vamac® AEM for :

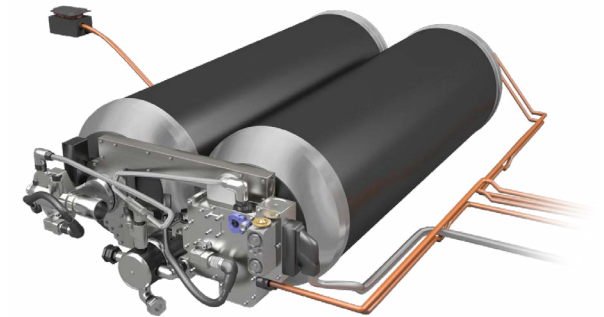
- Humidifier
- Condensation Trap
- Air Blower
- Air Intake Hose, Pipes
- Seals & Gaskets
- H2 Pressure Sensor Housings



Fuel Cell Stack

Zytel® HTN (PPA), Zytel® PA for:

- Manifold Block Body
- Side Cover Body
- Air In & Out Cover
- Air Control Valve Plate
- Insulator Plate
- Hoses
- Hydrogen Inlet Body & Cover
- Water Cover
- End Cell Plate
- Bipolar Plate
- Anode/Cathode End Plate



Fuel Processing System

Zytel® PA / LCPA for:

- Hydrogen Tank Liner

Thermal Management System

Zytel® HTN (PPA), Zytel® PA & LCPA, Crastin® PBT Low Ion Elusion Grades:

- Cooling Pipes & Quick Connectors
- Distributor
- Valve, Water Inlet/Outlet
- DI Filter
- Hoses
- Radiator
- Temperature Sensor Housing
- Water Pump