

T-Rack® 3.0 Series

Dimensions

Length (A)

Please refer to the latest version of the datasheet of the corresponding module.

Width (B) ^[1]

2-rows configuration	710 mm	2.33 ft.
4-rows configuration	1420 mm	4.66 ft.

Height (C) ^[1]

T-Rack® 3.0	min.	2650 mm	8.70 ft.
	max.	2695 mm	8.85 ft.
T-Rack® 3.0 S	min.	2318 mm	7.60 ft.
	max.	2363 mm	7.75 ft.

Header feed / drain (D)

Internal diameter	142 mm	5.59 inch
External diameter	168 mm	6.61 inch

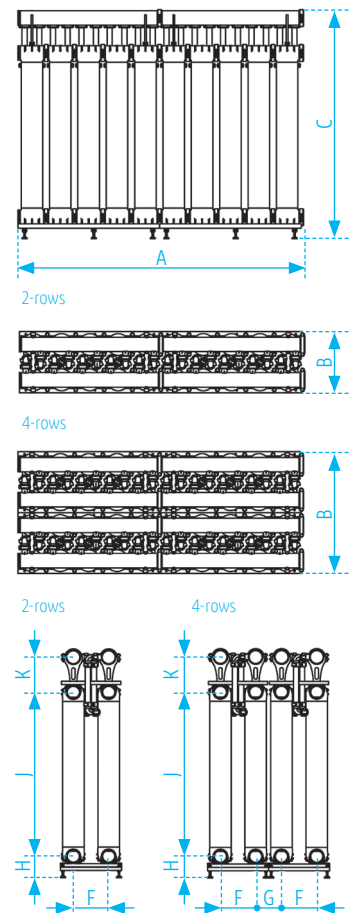
Header filtrate (E)

Internal diameter	152 mm	5.98 inch
External diameter	168 mm	6.61 inch

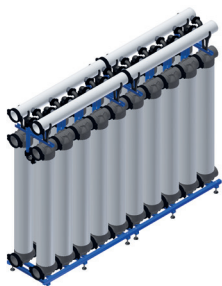
Other dimensions

F		410 mm	16.1 inch
G		300 mm	11.8 inch
H	min.	210 mm	8.3 inch
H	max.	255 mm	10.0 inch
J	T-Rack® 3.0	1925 mm	75.8 inch
J	T-Rack® 3.0 S	1703 mm	67.1 inch
K	T-Rack® 3.0	410 mm	16.1 inch
K	T-Rack® 3.0 S	300 mm	11.8 inch

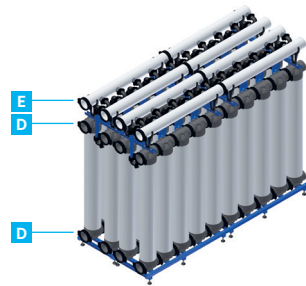
Configurations



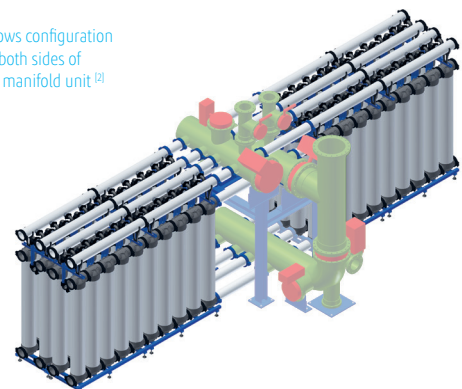
2-rows



4-rows



4-rows configuration
on both sides of
the manifold unit ^[2]



Parts List

Pos.	Article description	Material
1	Bottom frame	
1.1	Channel section U 50 x 50 x 4 x div. [1]	1.0037 C5 coated
1.2	Channel section (DIN 1026) U 50 x 38 x 710 mm [3]	1.0037 C5 coated
1.3	Hexagon nut (DIN 934) M16	1.4401
1.4	Hexagon bolt (DIN 933) M16 x 150	1.4401
1.5	Washer (DIN 433) A17	1.4401
1.6	Adjustable feet M16	PA6 GF 30
2	Bottom connecting brace	
2.1	Channel section (DIN 1026) U 50 x 38 x 688 mm [3]	1.0037 C5 coated
2.2	Threaded pins (DIN 913) M10 x 50	1.4401
2.3	Washer (DIN 125) A10.5	1.4401
2.4	Hexagon nut (DIN 934) M10	1.4401
3	Top cross brace	
3.1	Channel section (DIN 1026) U 50 x 38 x 688 mm [3]	1.0037 C5 coated
3.2	Threaded pins (DIN 913) M10 x 50	1.4401
3.3	Washer (DIN 125) A10.5	1.4401
3.4	Hexagon nut (DIN 934) M10	1.4401
3.5	Mounting clamp PE d168	PE
4	Module body	
	Material	PVC-U
5	Module connecting parts	
5.1	Flexible 6" coupling set	Composite
5.2	90° elbow piece PP 2"	PP
5.3	Transparent filtrate pipe 2" / 464 mm	PVC-U
5.4	Flexible 2" coupling set	Composite
6	Filtrate header	
	Dimensions	168.3 mm / 6"
	Material	PVC-U

Operating Parameters [4]

Temperature

	°C	°F	1 - 40	34 - 104
Permissible temperature range				
Maximum rate of temperature change	°C/min	°F/min	5	9

Pressure

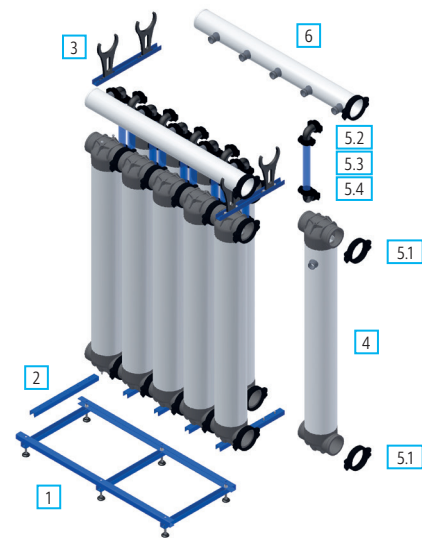
	bar	psi	5	72
Maximum operating pressure [5]				
Maximum rate of pressure change	bar/sec	psi/sec	0.5	7.25

- [1] Tolerance to ISO 2768-1c.
 [2] Not valid for T-Rack® 3.0 S.
 [3] Optional features: A stainless steel version is also available on request.
 [4] For membrane related operating conditions, please refer to the latest version of the Multibore® datasheet.
 [5] The design pressure corresponds to the maximum permitted operating pressure in continuous operation at the specified design temperature. Higher operating pressures than 5 bar may be possible in certain cases. However, this must first be verified and approved by inge®.

End-Cap Options

Part No.	Article	Description
KT-0162	Flange Adapter Cap DN 150 x 6"	Connection of 6" grooved coupling system to flange with connecting dimensions according to ISO 7005 PN 10, ANSI Class 150
KT-0163	Blind Cap 6"	Closing of feed and filtrate headers
KT-0164	Blind Cap 6" with G2" thread	Connection of equipment for venting, measuring, etc., G2" female thread according to DIN ISO 228 BSPP

End-Caps to be mounted with genuine inge® 6" flexible couplings.



Contact

inge GmbH | Flurstrasse 27 | 86926 Greifenberg, Germany
 Phone +49 8192 997-700 | Fax +49 8192 997-999
 inge@dupont.com | www.dupontwatersolutions.com

Note

The descriptions, designs, data and product information contained herein are presented in good faith and are based on inge GmbH's current knowledge and experience. inge GmbH cannot accept any liability for the accuracy of this product information, which is provided at no charge and for guidance only. inge® products are designed to be operated in accordance with the corresponding inge® product documentation. The product information and products are protected by copyright and/or other intellectual property laws worldwide. However, inge GmbH cannot guarantee that the product information and products can be used without infringing third party intellectual property rights. The products and product information may only be used, distributed and marketed with the express prior permission of inge GmbH. No warranties of any kind regarding the products, either expressed or implied, including, but not limited to, warranties of merchantability, fitness for a particular purpose or no third party rights are made, other than as expressly set out in the contractual agreement with the customer. Mechanical stability and full functionality of inge® products can only be provided by genuine inge® parts. inge GmbH reserves the right to modify products and product information at any time without prior information. Current product information can be obtained from the website www.dupontwatersolutions.com