

STEP 9

- A. INSTALL DUPONT™ RESIDENTIAL SEALANT, OR RECOMMENDED SEALANT, (AND BACKER ROD AS NECESSARY) AROUND THE DOOR OPENING AT THE INTERIOR.
- NOTE: IT IS ALSO ACCEPTABLE TO USE DUPONT™ WINDOW & DOOR FOAM OR RECOMMENDED FOAM. THE SEAL CREATED BY THE SEALANT (AND BACKER ROD AS NECESSARY) OR FOAM WILL ALSO SERVE AS A BACK DAM.

STEP 8

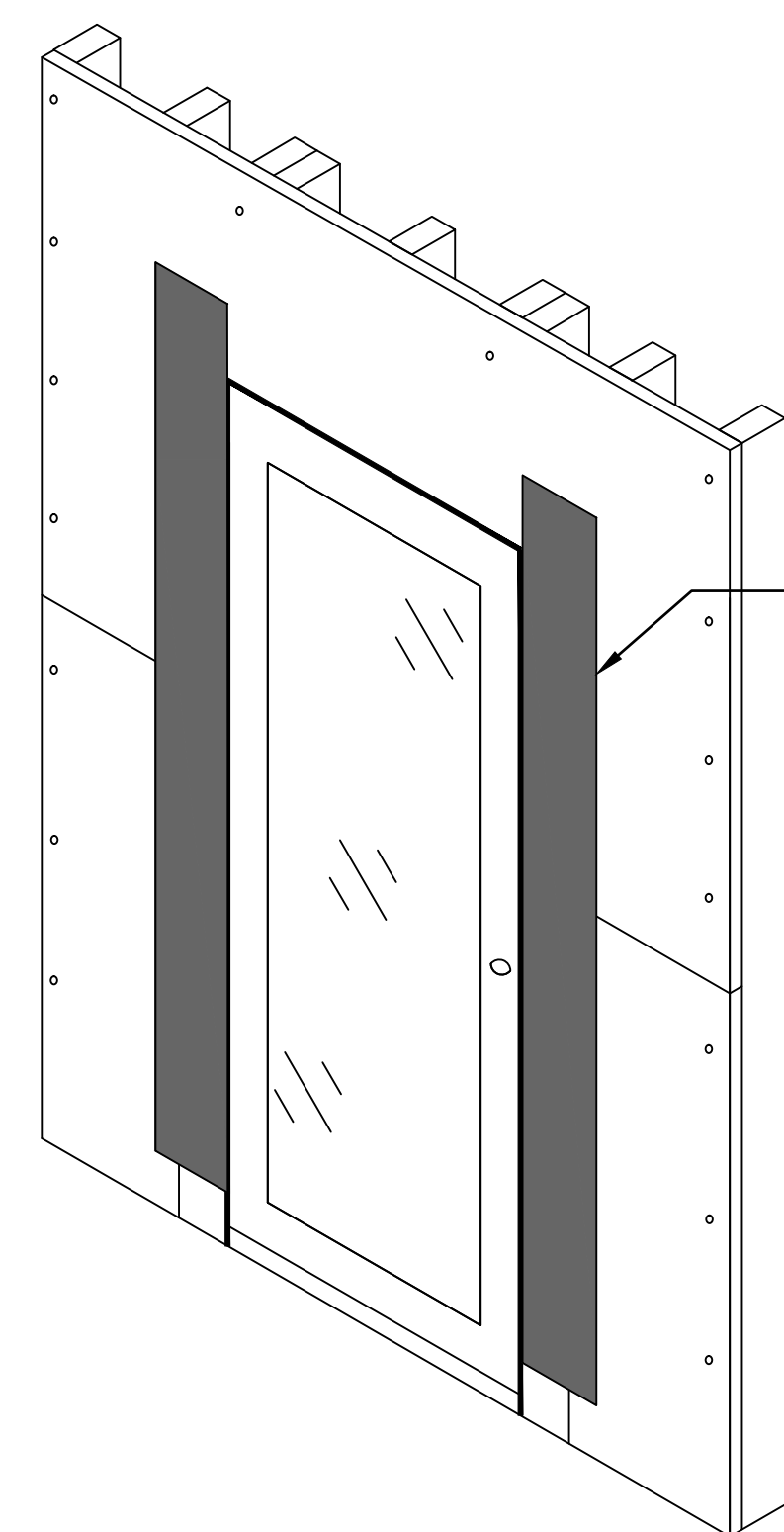
- A. INSTALL DUPONT™ TYVEK® TAPE CONTINUOUSLY ALONG THE DOOR JAMB SEAMS FIRST, THEN INSTALL DUPONT™ TYVEK® TAPE CONTINUOUSLY ALONG THE HEAD SEAMS LAPPING OVER TYVEK® TAPE ALONG THE JAMBS.

STEP 7

- A. DUPONT™ TYVEK® WRB TO BE MECHANICALLY FASTENED AND INSTALLED OVER SHEATHING.
- B. DO NOT INSTALL FASTENERS WITHIN 6" OF THE SILLS AND JAMBS OF THE OPENINGS AND WITHIN 9" OF THE HEAD OPENINGS.
- C. AFTER INSTALLING THE DUPONT™ TYVEK® WRB, CUT AS SHOWN TO EXPOSE DOOR AND APRON.

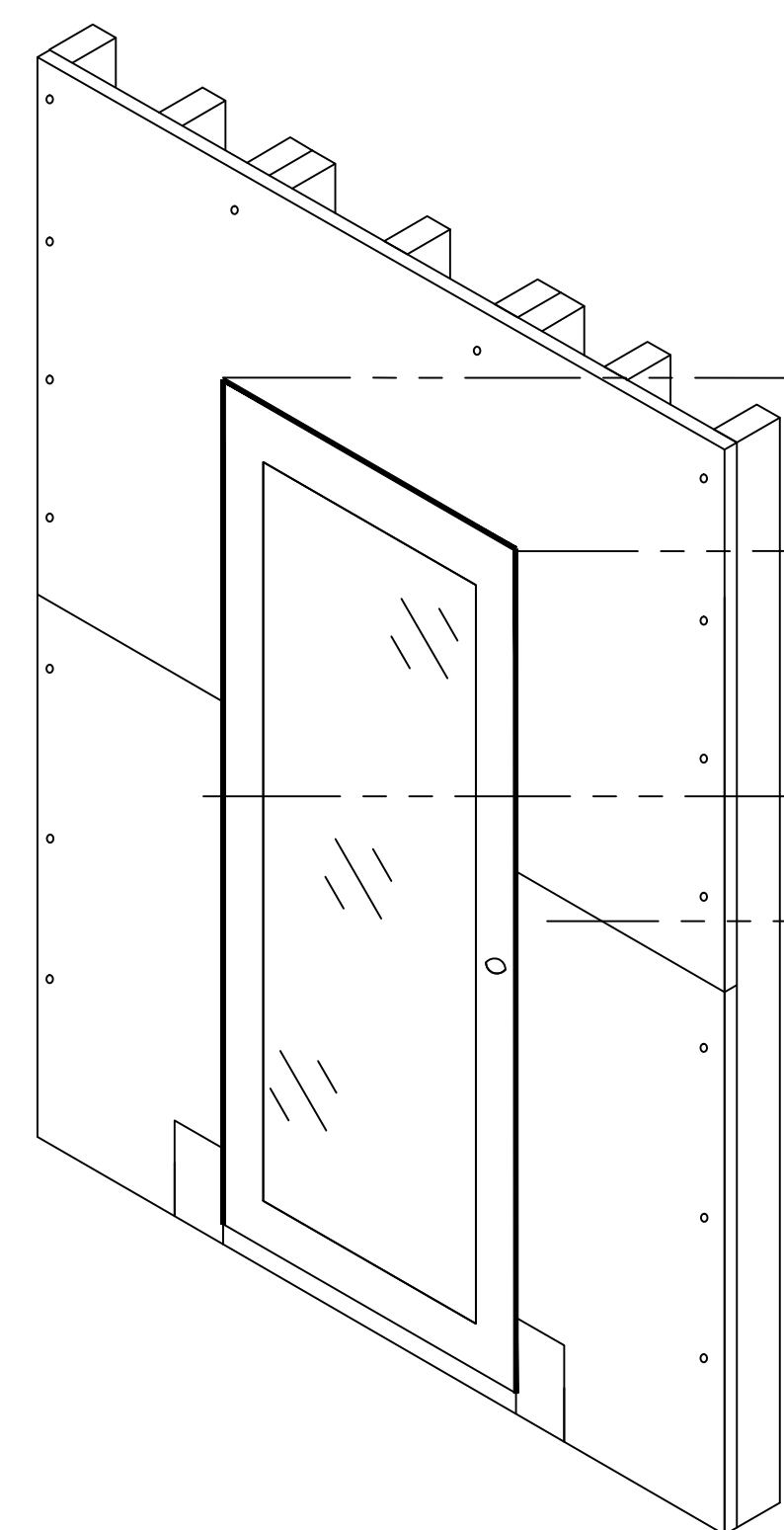
STEP 6

- A. PREPARE HEAD FLASHING BY CUTTING A PIECE OF DUPONT™ FLASHING TAPE OR DUPONT™ STRAIGHTFLASH™ LONG ENOUGH TO EXTEND BEYOND OUTER EDGES OF JAMB FLASHINGS.
- B. REMOVE RELEASE PAPER AND INSTALL COMPLETELY COVERING MOUNTING FLANGE AND ADHERING TO EXPOSED SHEATHING OR FRAMING MEMBERS.



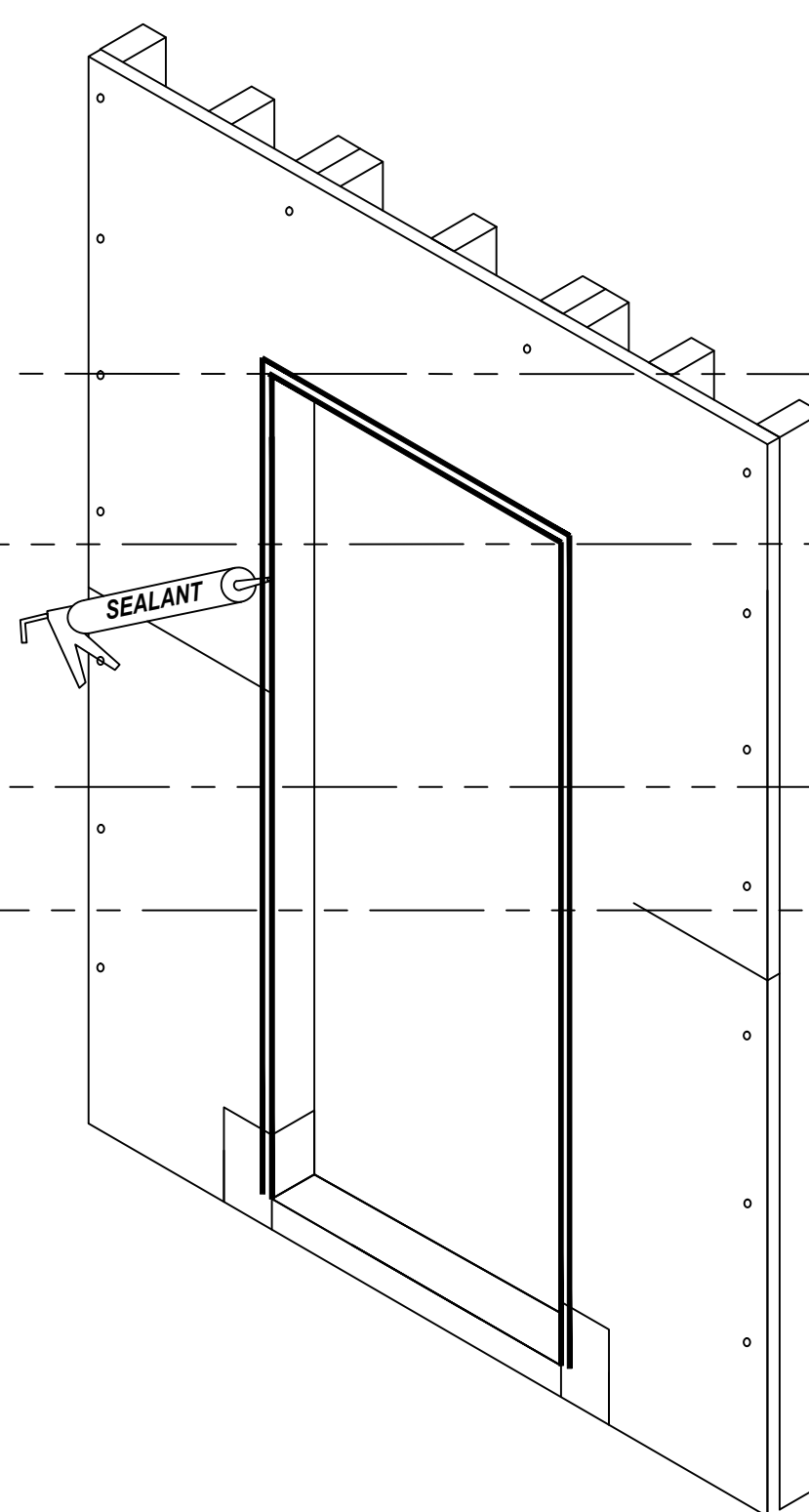
STEP 5

- A. CUT TWO PIECES OF DUPONT™ FLASHING TAPE OR DUPONT™ STRAIGHTFLASH™ FOR JAMB FLASHING EXTENDING 1" ABOVE DOOR HEAD FLANGE AND BELOW BOTTOM EDGE OF APRON MADE OF DUPONT™ TYVEK® WRB UNDER SILL. REMOVE RELEASE PAPER AND PRESS TIGHTLY ALONG SIDES OF DOOR FRAME.



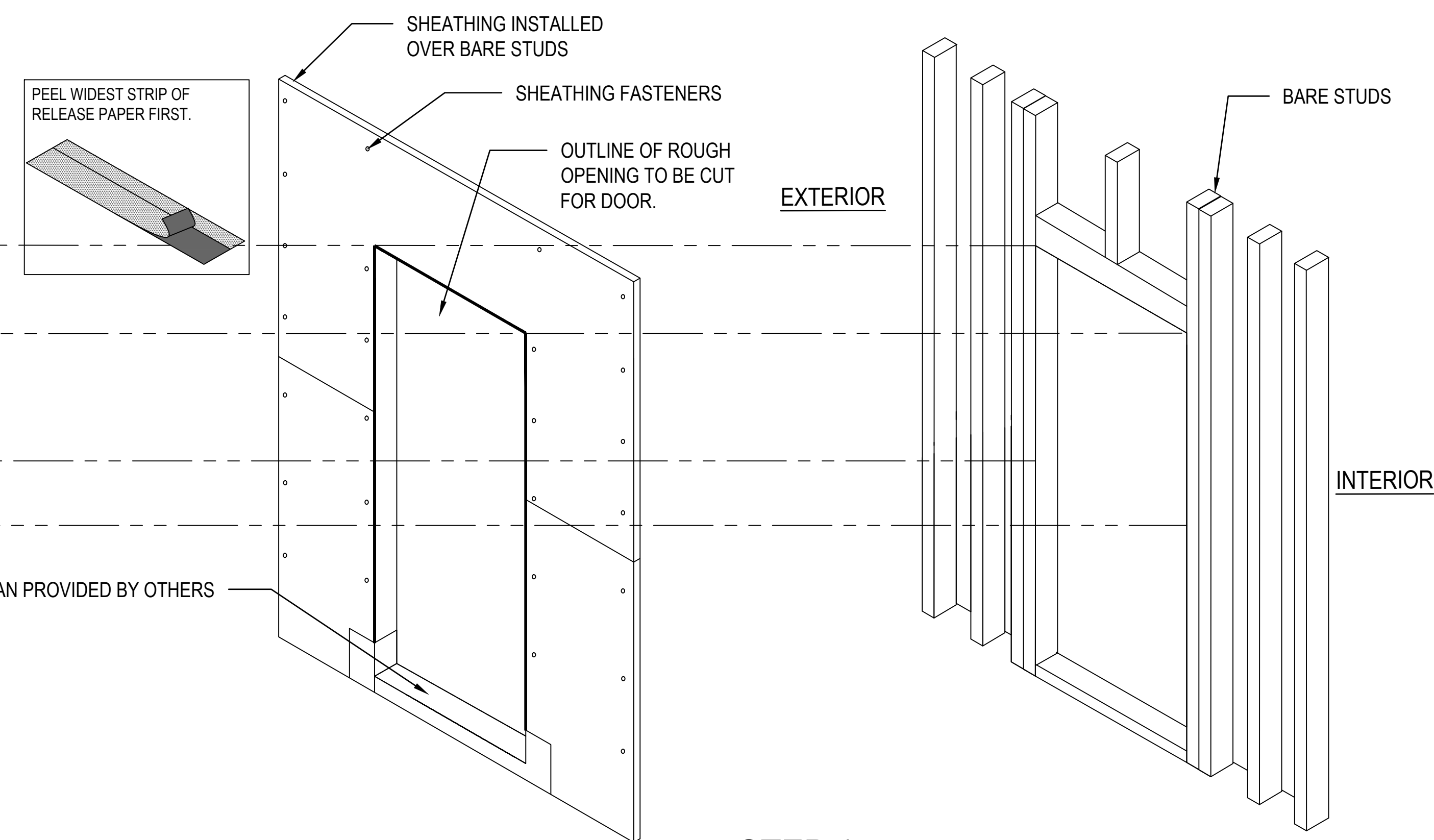
STEP 4

- A. INSTALL DOOR ACCORDING TO MANUFACTURER'S INSTALLATION INSTRUCTIONS.



STEP 3

- A. APPLY DUPONT™ RESIDENTIAL SEALANT OR RECOMMENDED SEALANT ON THREE SIDES (JAMBS AND HEAD) AS SHOWN ABOVE.



STEP 2

- A. INSTALL SILL PAN (SILL PAN PROVIDED BY OTHERS).

STEP 1

BARE STUDS PRIOR TO SHEATHING INSTALLATION. FRAMING AND NON-WATERPROOFING COMPONENTS ARE ONLY SHOWN SCHEMATICALLY. SEE DRAWINGS BY OTHERS FOR DETAILED INFORMATION.

NOTE: FOR ADDITIONAL INFORMATION REGARDING PRODUCT INSTALLATION AND/OR FABRICATION INSTRUCTIONS FOR RECESSED WINDOW CORNERS, REFER TO THE APPLICABLE DUPONT™ SELF-ADHERED FLASHING SYSTEMS PRODUCTS INSTALLATION GUIDELINE.

Integral Flanged Door Before WRB Installation Sequence

DRAWING:
R-OP-3120-MA

REVISION DATE:
11/1/2016
SCALE: Not to Scale

