

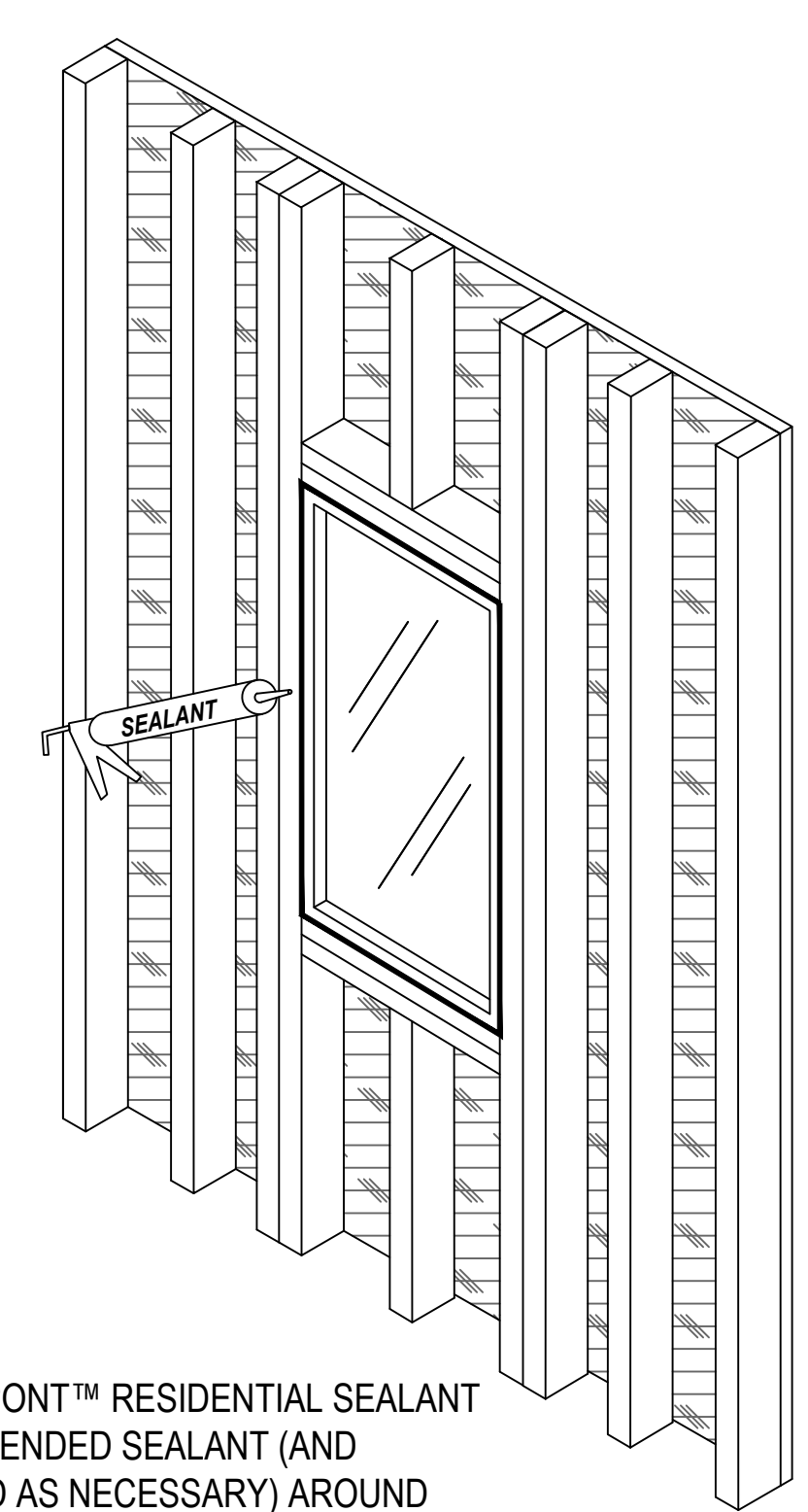
NOTE: FOR ADDITIONAL INFORMATION REGARDING PRODUCT INSTALLATION, REFER TO THE APPLICABLE DUPONT™ SELF-ADHERED FLASHING SYSTEMS PRODUCTS INSTALLATION GUIDELINE.

Integral Flanged Window
Before WRB Installation
Sequence

DRAWING:
R-OP-2120-MA, Page 1 of 2

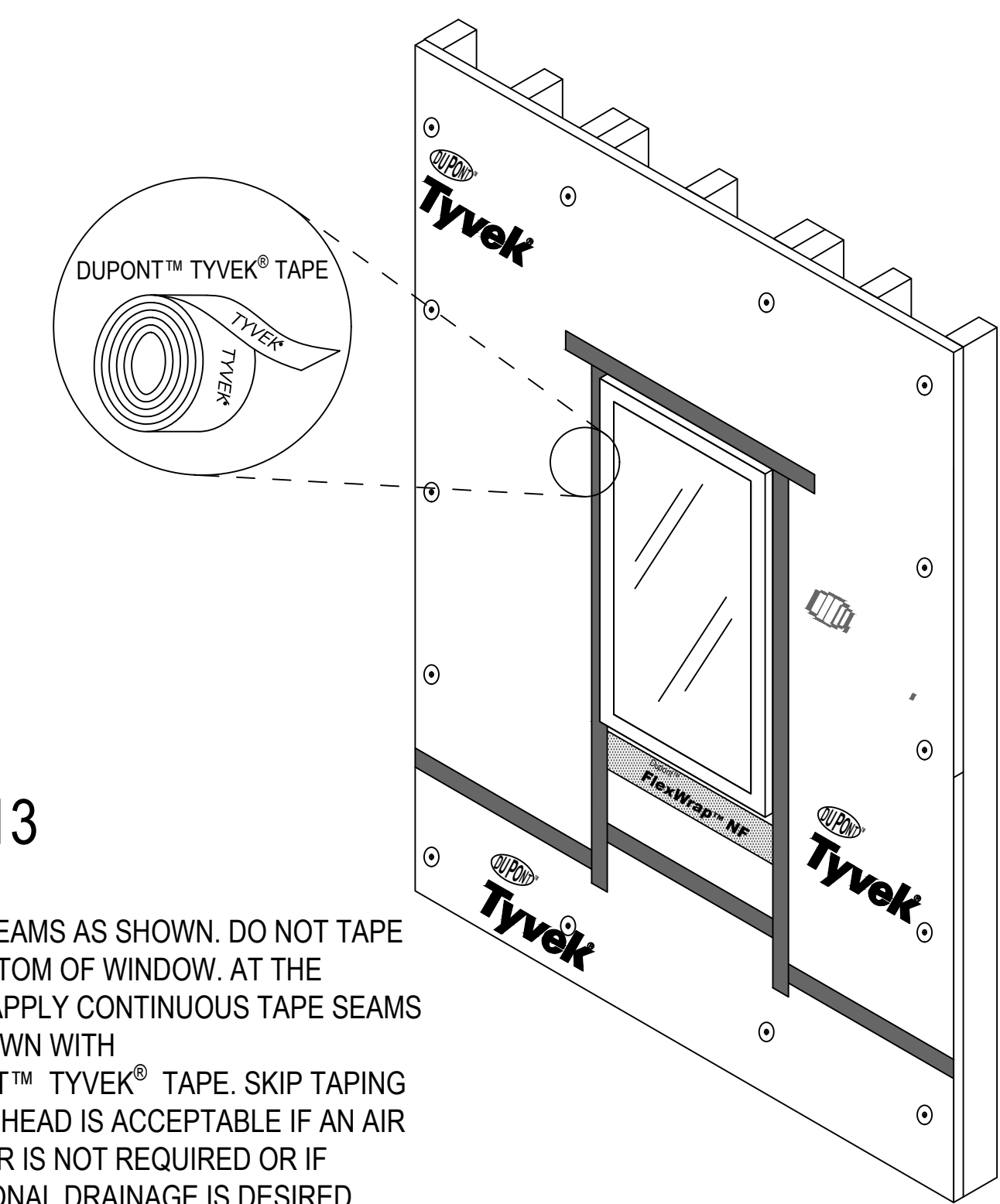
REVISION DATE:
11/11/2016
SCALE: Not to Scale





STEP 14

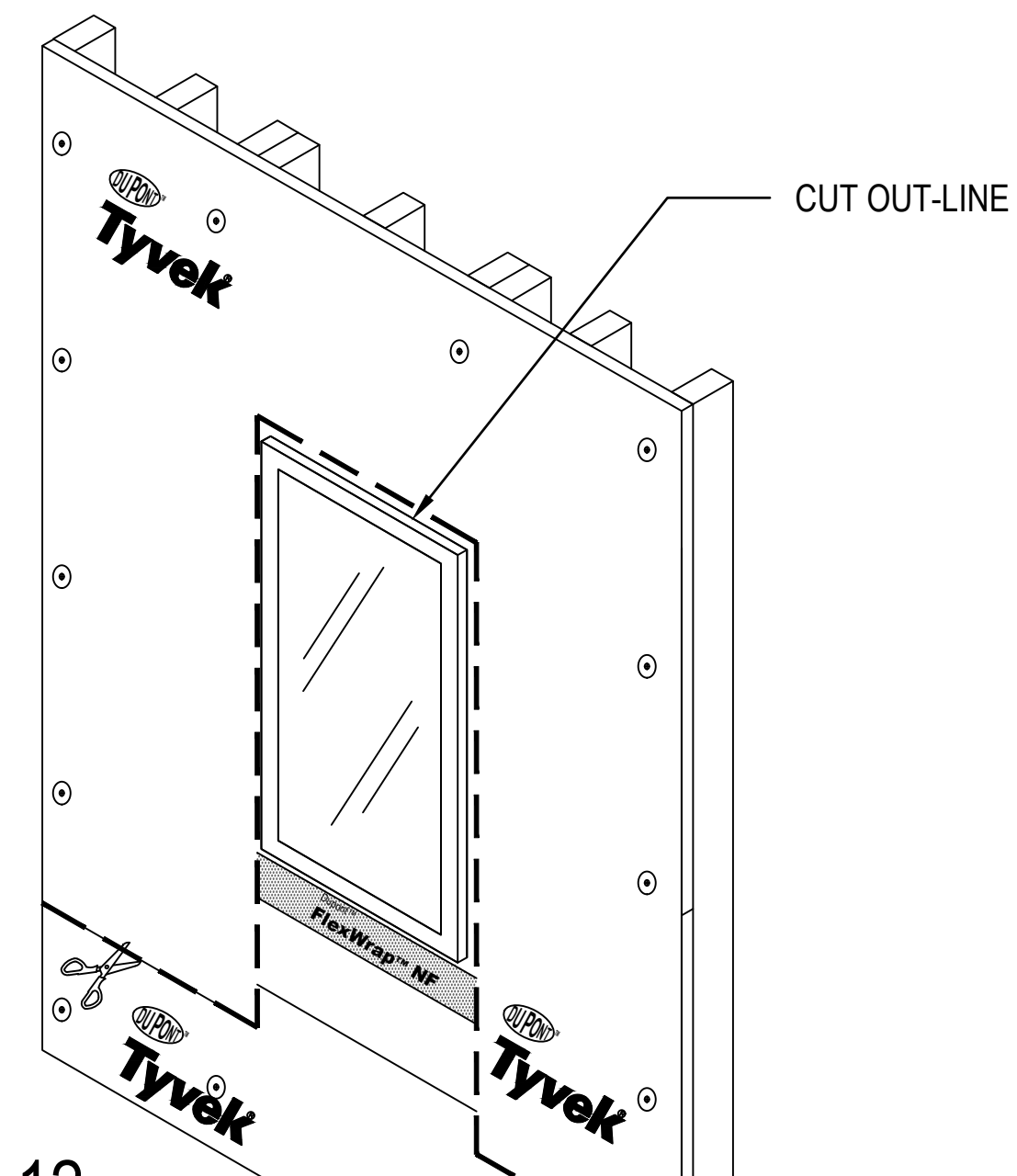
- A. INSTALL DUPONT™ RESIDENTIAL SEALANT OR RECOMMENDED SEALANT (AND BACKER ROD AS NECESSARY) AROUND THE WINDOW OPENING AT THE INTERIOR. IT IS ALSO ACCEPTABLE TO USE DUPONT™ WINDOW AND DOOR FOAM OR RECOMMENDED FOAM AT THE INTERIOR CAVITY OF THE JAMBS AND HEAD. IF FOAM IS USED AT THE SILL, RECOMMENDED SEALANT SHOULD BE USED AT THE SILL AREA BEHIND THE FOAM TO ENSURE A PROPER WATER SEAL.



STEP 13

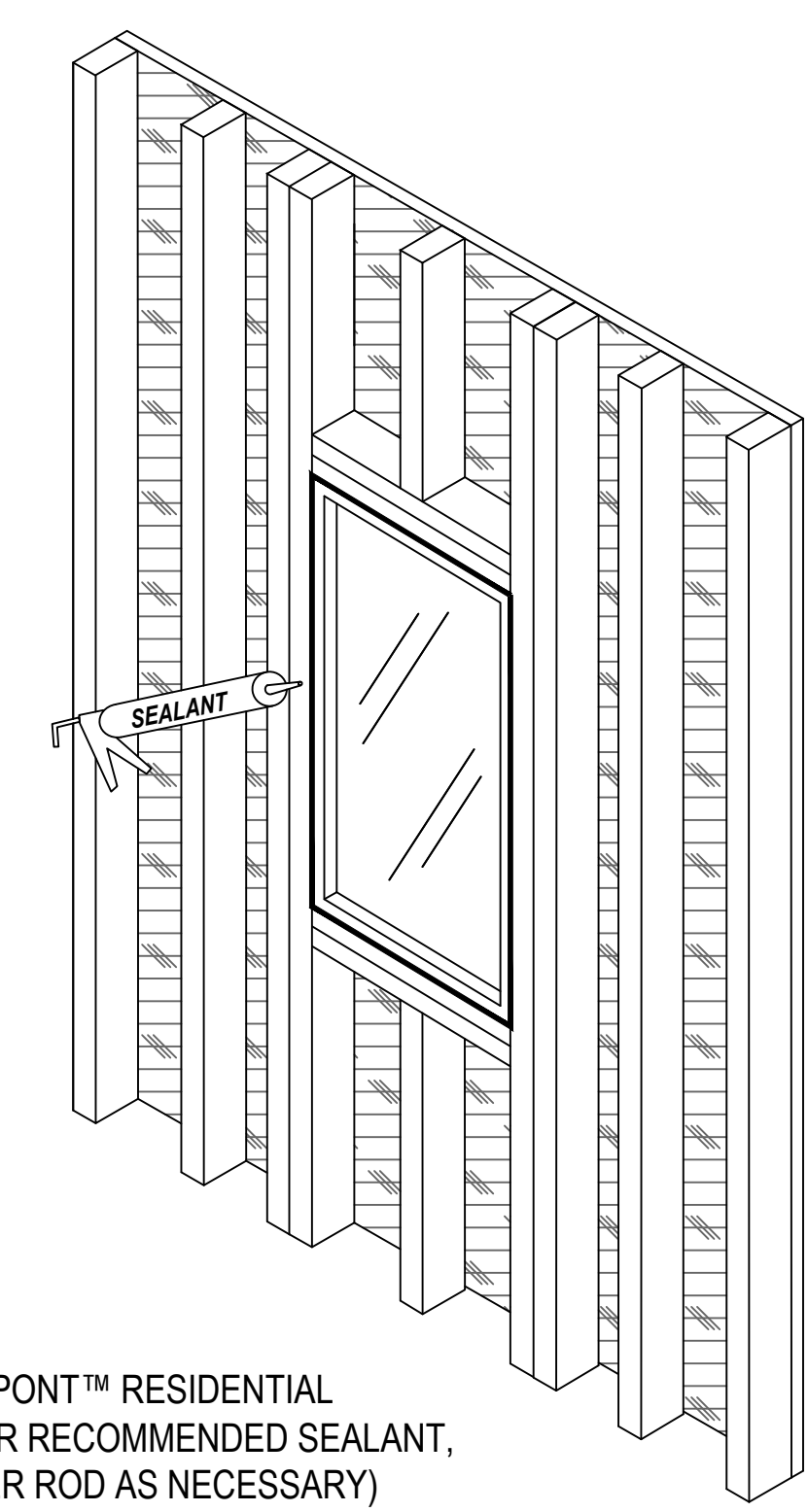
- A. TAPE SEAMS AS SHOWN. DO NOT TAPE AT BOTTOM OF WINDOW. AT THE HEAD, APPLY CONTINUOUS TAPE SEAMS AS SHOWN WITH DUPONT™ TYVEK® TAPE. SKIP TAPING AT THE HEAD IS ACCEPTABLE IF AN AIR BARRIER IS NOT REQUIRED OR IF ADDITIONAL DRAINAGE IS DESIRED.
 B. LAP BOTTOM OF APRON AND DUPONT™ TYVEK® WRB OVER BUILDING MATERIALS BELOW FOR PROPER SHINGLING.

NOTE: FOR AIR BARRIER INSTALLATIONS, HORIZONTAL AND VERTICAL SEAMS MUST BE SEALED WITH DUPONT(TM) TYVEK(R) TAPE



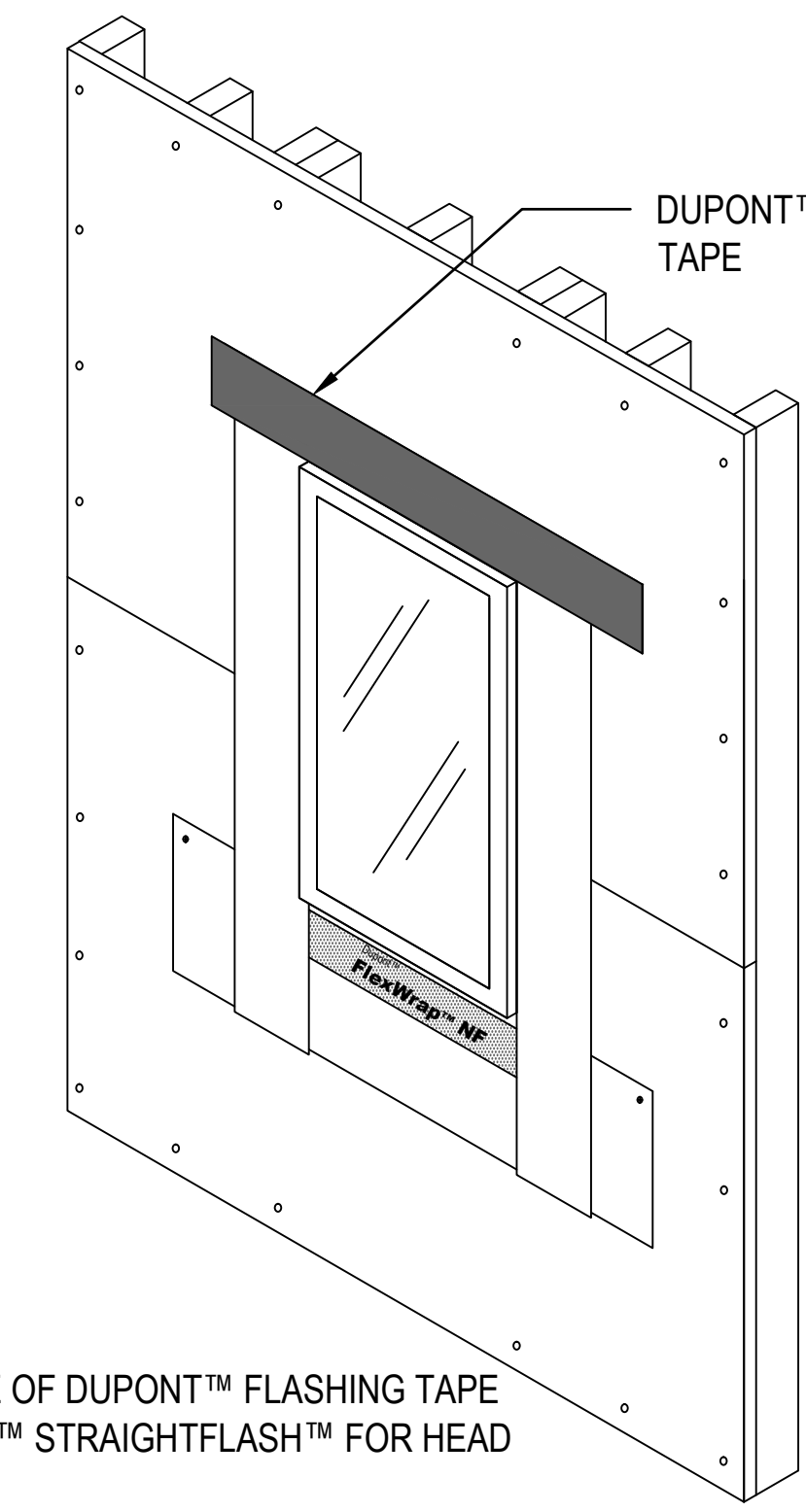
STEP 12

- A. INSTALL DUPONT™ TYVEK® WRB ACCORDING TO THE DUPONT™ TYVEK® WRB INSTALLATION GUIDELINES.
 B. AFTER INSTALLING THE DUPONT™ TYVEK® WRB, CUT AS SHOWN TO EXPOSE WINDOW AND APRON.



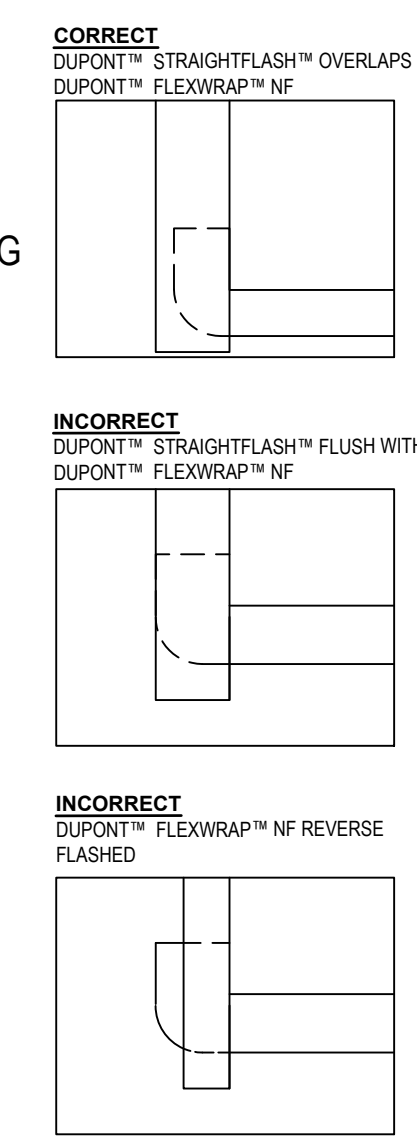
STEP 11

- A. INSTALL DUPONT™ RESIDENTIAL SEALANT, OR RECOMMENDED SEALANT, (AND BACKER ROD AS NECESSARY) AROUND THE WINDOW OPENING AT THE INTERIOR.
 NOTE: IT IS ALSO ACCEPTABLE TO USE DUPONT™ WINDOW & DOOR FOAM OR RECOMMENDED FOAM. THE SEAL CREATED BY THE SEALANT (AND BACKER ROD AS NECESSARY) OR FOAM WILL ALSO SERVE AS A BACK DAM.



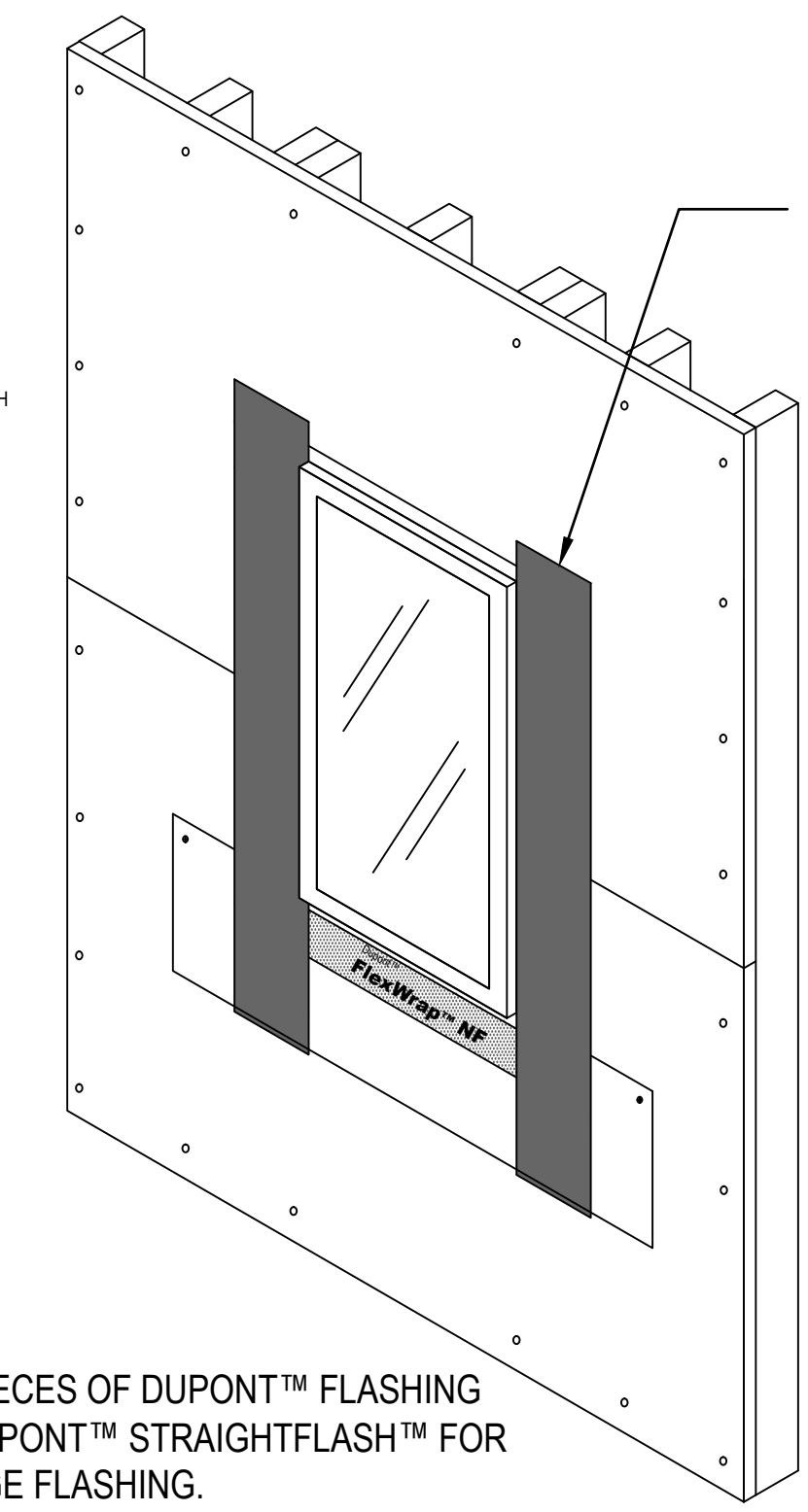
STEP 10

- A. CUT A PIECE OF DUPONT™ FLASHING TAPE OR DUPONT™ STRAIGHTFLASH™ FOR HEAD FLASHING.
 B. HEAD FLASHING TO EXTEND BEYOND OUTER EDGES OF JAMB FLASHING.
 C. REMOVE RELEASE PAPER AND INSTALL COMPLETELY COVERING WINDOW MOUNTING FLANGE AND ADHERING TO THE EXPOSED, PRIMED SHEATHING.



STEP 9

- A. CUT TWO PIECES OF DUPONT™ FLASHING TAPE OR DUPONT™ STRAIGHTFLASH™ FOR JAMB FLANGE FLASHING.
 B. JAMB FLASHING TO EXTEND 1" ABOVE WINDOW HEAD FLANGE AND 2" TO 4" BELOW BOTTOM OF SILL FLASHING.
 C. REMOVE RELEASE PAPER AND PRESS TIGHTLY ALONG SIDES OF WINDOW FRAME



NOTE: FOR ADDITIONAL INFORMATION REGARDING PRODUCT INSTALLATION, REFER TO THE APPLICABLE DUPONT™ SELF-ADHERED FLASHING SYSTEMS PRODUCTS INSTALLATION GUIDELINE.

Integral Flanged Window Before WRB Installation Sequence

DRAWING: R-OP-2120-MA, Page 2 of 2
 REVISION DATE: 11/11/2016
 SCALE: Not to Scale

